

# MCDB Installation of sensor switch $\phi 10 \sim \phi 32$



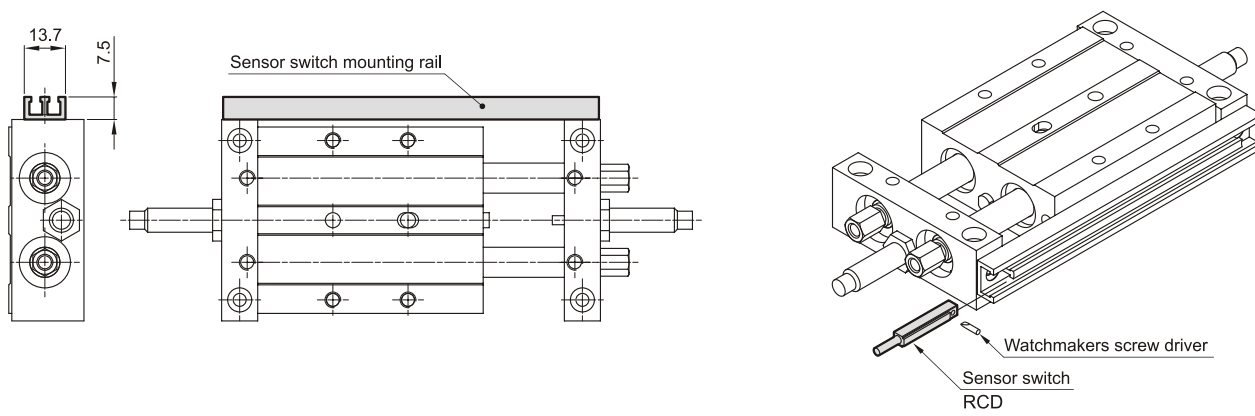
## DUAL-ROD SLIDE CYLINDER

Mindman

### Installation of sensor switch

Sensor switch: RCD

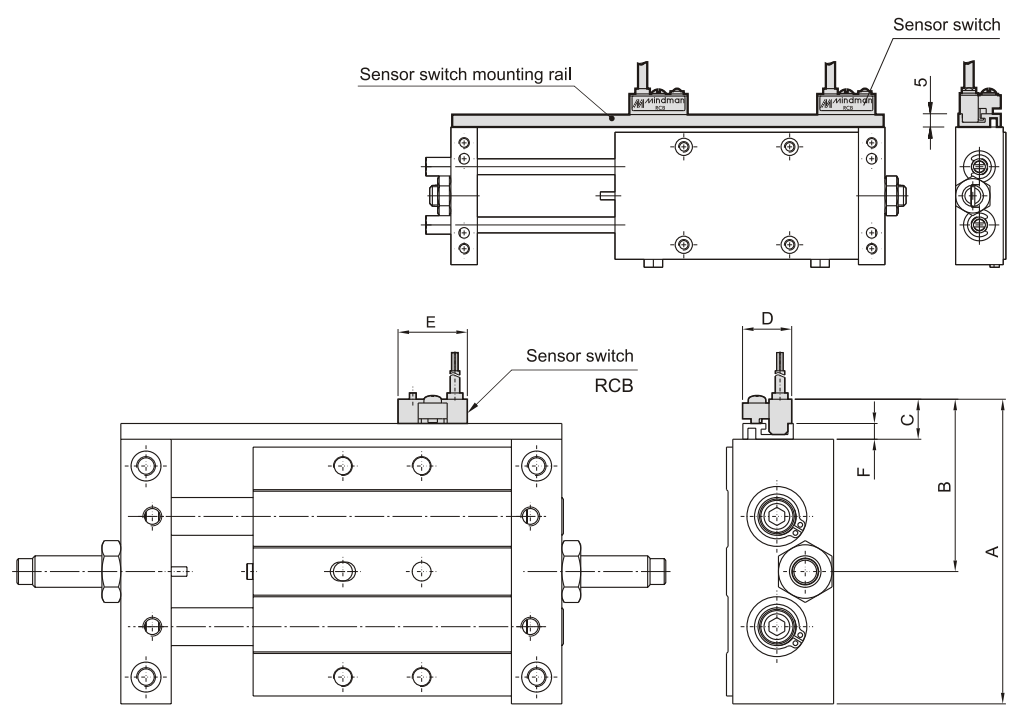
**New**



### Installation of sensor switch

Sensor switch: RCB

**Old**



Code Stroke	A	B	C	D	E	F
10	61	37	13	16	22	5
16	75	44	13	16	22	5
20	86	49.5	13	16	22	5
25	92	52.5	13	16	22	5
32	126	69.5	13	16	22	5