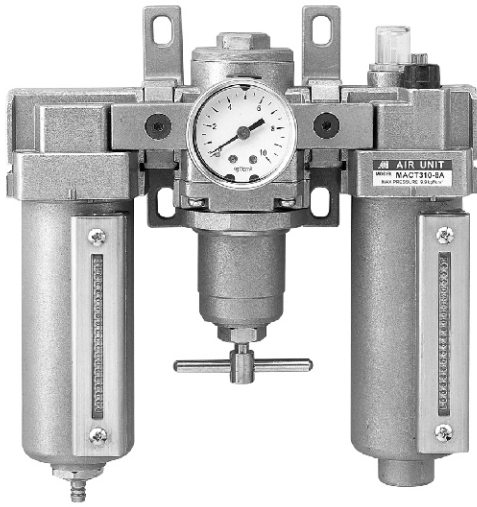
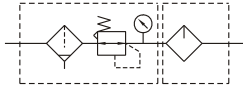


MACT310 series Stainless steel #316 type

AIR UNITS (F.R.L.UNIT)



Symbol:



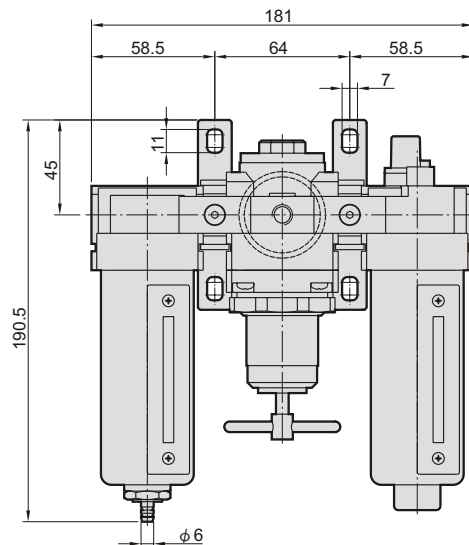
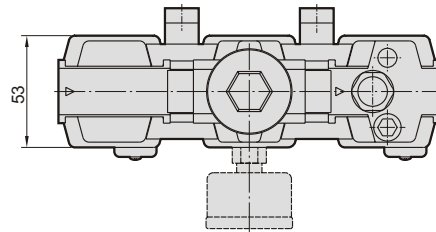
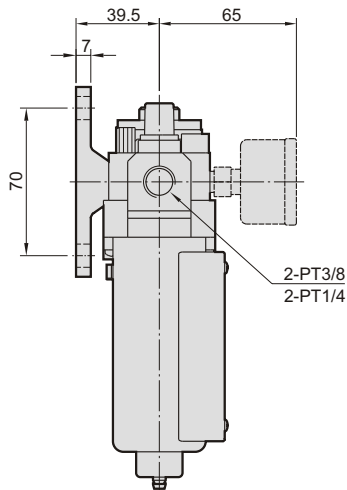
Order example:

MACT310 – 10A – BSP

MODEL

BORE SIZE
8A : PT 1/4
10A : PT 3/8

PORT THREAD
Blank: PT thread
BSP: BSP thread
NPT: NPT thread



Specification:

Model	MACT310	
Components	MAF310, MAR310, MAL310	
Bore No.	8A	10A
Port size	PT 1/4	PT 3/8
Medium	Air	
Operating pressure range	0~9.9kgf/cm ² (0~0.99MPa)	
Proof pressure	15kgf/cm ² (1.5MPa)	
Effective orifice	25 mm ²	34 mm ²
Regulation pressure range	0.5~8.5kgf/cm ² (0.05~0.85MPa)	
Ambient temperature	-5~+60°C (No freezing)	
Filtration	Standard: 40 μm Option: 5,20 μm	
Lubricating oil capacity	140 c.c	
Min. flow for oil drip	30 ℓ/min	40 ℓ/min
Recommended lubricating oil	Turbine oil ISO-VG32	
Attachment	Pressure gauge, bracket	
Weight	3450 g	