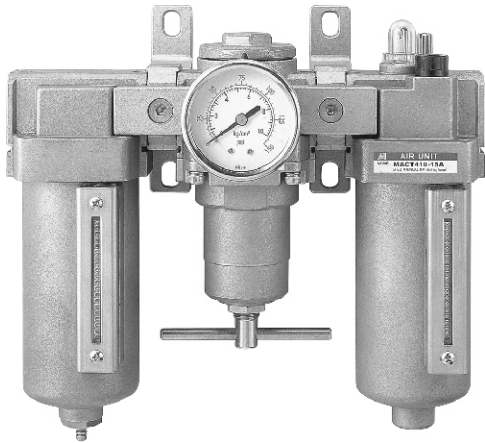
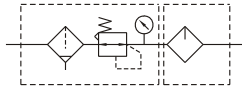


MACT410 series Stainless steel #316 type

AIR UNITS (F.R.L.UNIT)



Symbol:



Order example:

MACT410 – 15A – BSP

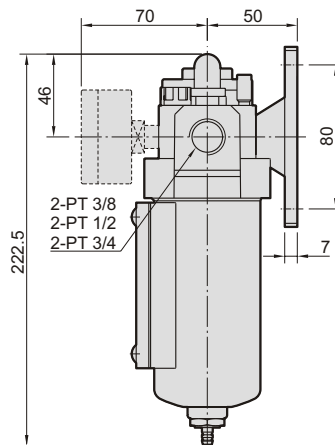
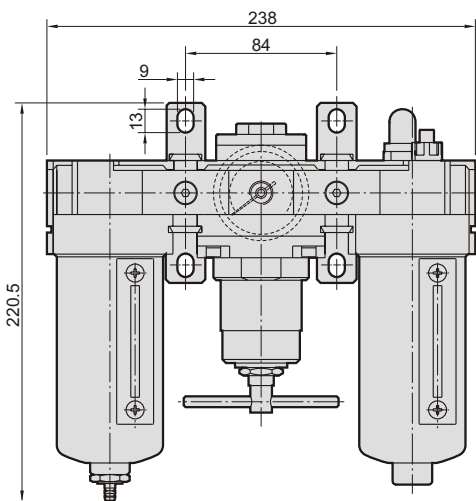
MODEL

BORE SIZE

10A: PT 3/8
15A: PT 1/2
20A: PT 3/4

PORT THREAD

Blank: PT thread
BSP: BSP thread
NPT: NPT thread



Specification:

Model	MACT410		
Components	MAF410, MAR410, MAL410		
Bore No.	10A	15A	20A
Port size	PT 3/8	PT 1/2	PT 3/4
Medium	Air		
Operating pressure range	0~9.9 kgf/cm ² (0~0.99 MPa)		
Proof pressure	15 kgf/cm ² (1.5 MPa)		
Regulation pressure range	0.5~8.5 kgf/cm ² (0.05~0.85 MPa)		
Ambient temperature	-5~+60°C (No freezing)		
Filtration	Standard: 40 μm Option: 5,20 μm		
Lubricating oil capacity	130c.c		
Min. flow for oil drip	50 ℓ/min		
Recommended lubricating oil	Turbine oil ISO-VG32		
Attachment	Pressure gauge, bracket		
Weight	5968 g		

Flow feature:

