

MAD500 series

AIR UNITS (Auto-drainer)



Specification:

Model	MAD500	MAD500M
Dimensions	High 18cm (7"), Diameter 20cm(4")	
Inlet	PT 1/2	
Outlet	PT 3/8	
Operating pressure range	1.3~13 kgf/cm ²	
Ambient temperature	2~60 °C (36~140 °F)	
Weight	780 g	
Discharge per operation	60cc per on time. Max. operation 25 times per minute.	

※ Port thread BSP. NPT. are also available.

Order example:

MAD500 — M

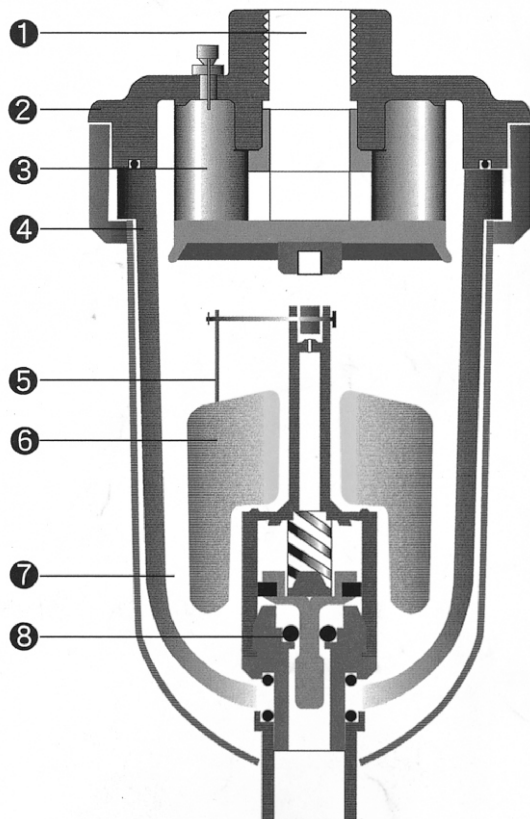
MODEL

Fiter Bowl Material
Blank: Polycarbonate (PC)
M: Alumium Alloy

Improve the quality of compressed air

Modern plants use large quantity of compressed air to operate many precise automatic machines. With air pollution getting worse in the environment, polluted air from plants and automobiles have increase in a great deal. As the result, the quality of compressed air is degraded due to the dust, oil mist within plants and the increased temperature of the environment. The addition of expensive drying equipment and precise filter can block some water and impurity, But can not block acid chemicals in polluted air such as sulfur dioxide (SO₂), tiny oil mist and dust that are smaller than 0.01micron from entering the compressed air system.

After years of accumulation, these harmful materials can reduce the efficiency and service life of the drying equipment and filter systems. Furthermore, they can corrode the compressed air pipeline and some parts to affect the operation of automatic machines. The only way to prevent these is to use the excellent compressed air automatic drain valve to drain water, oil mist, rust and acid chemicals out of the compressed air system. It will increase the quality of compressed air, smooth the machine operation and increase the production efficiency.



- ① With large diameter sized entrance and path for particles and rust to pass through, no accumulation will occur in dead corners.
- ② Aluminum alloy casting with special anti-corrosion treatment and then coated with high quality baking varnish can withstand acid and alkali without any corrosion occurring.
- ③ Large volume filtered dirt storing compartment can filter and store more rust and dirt than other common automatic drain valve.
- ④ Water collecting bowl, made of optical class transparent plastic material, will not rupture.
- ⑤ Implanted stainless rod for float will never slip off.
- ⑥ Large size float has more buoyancy and is more sensitive to control.
- ⑦ Large size water collecting bowl can store and drain more water thus reduce the draining time and increase the service life of automatic drain valve.
- ⑧ Leakage proof ring, made of high quality VITON rubber, can endure abrasion without leakage. Its service time is ten times longer than NBR rubber.