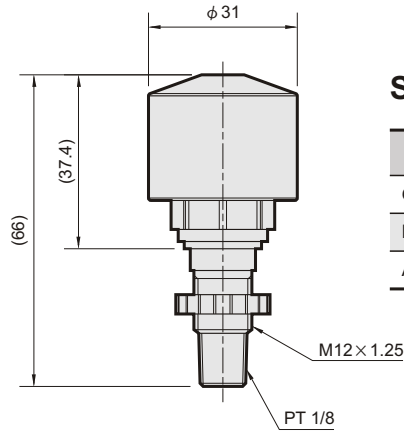


MADV300 / FMRF300 series

AUTO DRAIN VALVES



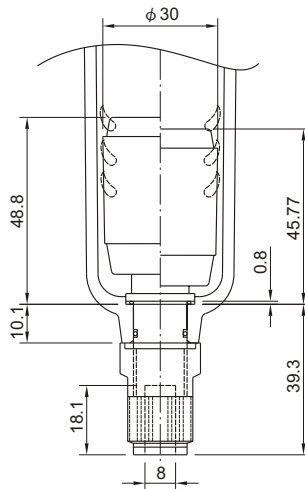
Specification:

Model	MADV300
Operating pressure range	0~9.9 kgf/cm ² (0~0.99 MPa)
Proof pressure	15 kgf/cm ² (1.5 MPa)
Ambient temperature	-5~+60°C (No freezing)

Order example:

MADV300

MODEL
for MA**300



Specification:

Model	FMRF300
Operating pressure range	1.5~9.9 kgf/cm ² (0.15~0.99 MPa)
Proof pressure	15 kgf/cm ² (1.5 MPa)
Ambient temperature	-5~+60°C (No freezing)

Order example:

FMRF300 — AD — U

※for Air Unit
MA**300series
MA**400series
MA**401series
Ordered with filter together