

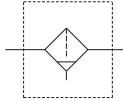
MAF901 series

AIR UNITS (Filter)

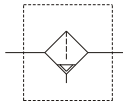


Symbol:

Manual drain



Auto drain



- MAF901 with high water removal efficiency and minimal pressure drop are used for removal of liquids and solid contaminants to protect air tools and equipment.

- Ideally suited for header lines and very high flow applications.

Specification:

Model	MAF901
Bore No.	50A
Port size	PT 2
Medium	Air
Operating pressure range	0~17.5 kgf/cm ² (0~1.75 MPa)
Ambient temperature	0~+80°C (No freezing)
Filtration	Standard: 50 μm
Standard nominal flow rate (※)	63000 l/min
Weight	6930 g

※ Flow is at pressure P=6kgf/cm² with pressure drop ΔP=1kgf/cm².

Order example:

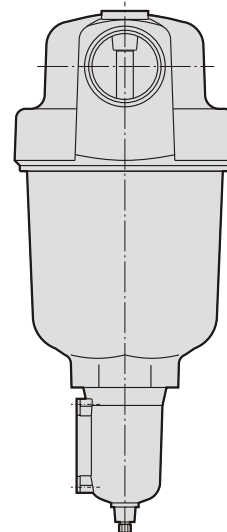
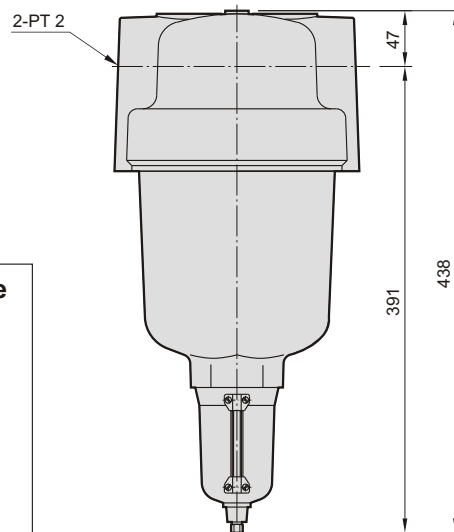
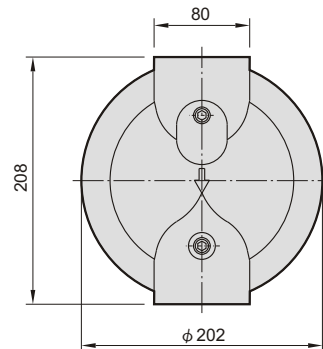
MAF901 - 50A - D - BSP

MODEL

BORE SIZE
50A: PT 2

PORT THREAD
Blank: PT thread
BSP: BSP thread
NPT: NPT thread

Blank: manual drain
D: auto drain



Auto drain type

