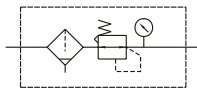


MAFR300 series

AIR UNITS (F.R.UNIT)



Symbol:



Specification:

| Model | MAFR300 | |
|---------------------------|---|--------------------|
| Bore No. | 8A | 10A |
| Port size | PT 1/4 | PT 3/8 |
| Medium | Air | |
| Operating pressure range | 0~9.9 kgf/cm ² (0~0.99 MPa) | |
| Proof pressure | 15 kgf/cm ² (1.5 MPa) | |
| Effective orifice | 32 mm ² | 34 mm ² |
| Regulation pressure range | 0.5~8.5 kgf/cm ² (0.05~0.85 MPa) | |
| Ambient temperature | -5~+60°C (No freezing) | |
| Filtration | Standard: 5 μm Option: 40 μm | |
| Attachment | Pressure gauge, bracket | |
| Weight | 500 g | |

Order example:

MAFR300 — 8A — — BSP

MODEL

BORE SIZE

8A: PT 1/4

10A: PT 3/8

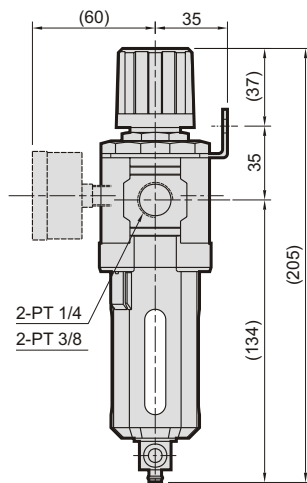
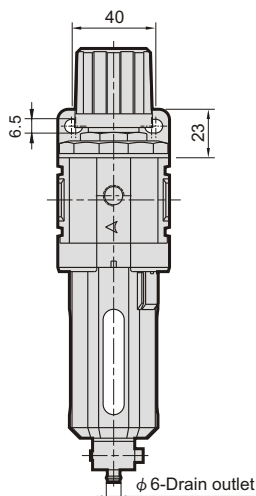
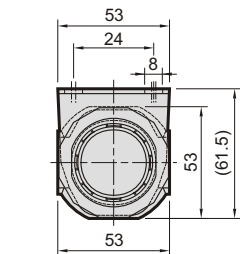
D: auto drain valve
(MADV 300)

PORT THREAD

Blank: PT thread

BSP: BSP thread

NPT: NPT thread



Flow feature:

