

# MAFR400 series

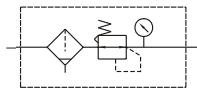
AIR UNITS (F.R.UNIT)



## Specification:

Model	MAFR400		
Bore No.	8A	10A	15A
Port size	PT 1/4	PT 3/8	PT 1/2
Medium	Air		
Operating pressure range	0~9.9 kgf/cm <sup>2</sup> (0~0.99 MPa)		
Proof pressure	15 kgf/cm <sup>2</sup> (1.5 MPa)		
Effective orifice	35 mm <sup>2</sup>	60 mm <sup>2</sup>	
Regulation pressure range	0.5~8.5 kgf/cm <sup>2</sup> (0.05~0.85 MPa)		
Ambient temperature	-5~+60°C (No freezing)		
Filtration	Standard: 40 μm Option: 5 μm		
Attachment	Pressure gauge, bracket		
Weight	1350 g		

## Symbol:



Order example:

MAFR400 — 10A —  — BSP

MODEL

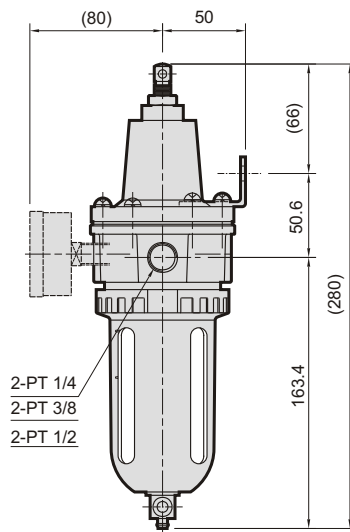
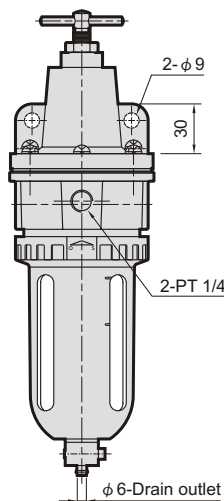
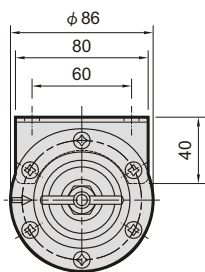
BORE SIZE

8A: PT 1/4  
10A: PT 3/8  
15A: PT 1/2

D: auto drain valve  
(FMRF 300)

PORT THREAD

Blank: PT thread  
BSP: BSP thread  
NPT: NPT thread



## Flow feature:

