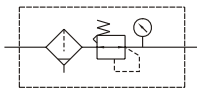


# MAFR500 series

**AIR UNITS (F.R.UNIT)**



**Symbol:**



**Specification:**

Model	MAFR500	
Bore No.	20A	25A
Port size	PT 3/4	PT 1
Medium	Air	
Operating pressure range	0~9.9 kgf/cm <sup>2</sup> (0~0.99 MPa)	
Proof pressure	15 kgf/cm <sup>2</sup> (1.5 MPa)	
Regulation pressure range	0.5~8.5 kgf/cm <sup>2</sup> (0.05~0.85 MPa)	
Ambient temperature	-5~+60°C (No freezing)	
Filtration	40 μm	
Attachment	Pressure gauge, bracket	
Weight	2037 g	

※ Standard Unit contains semi-auto-drain function when operating pressure below 0.5kgf/cm<sup>2</sup>.

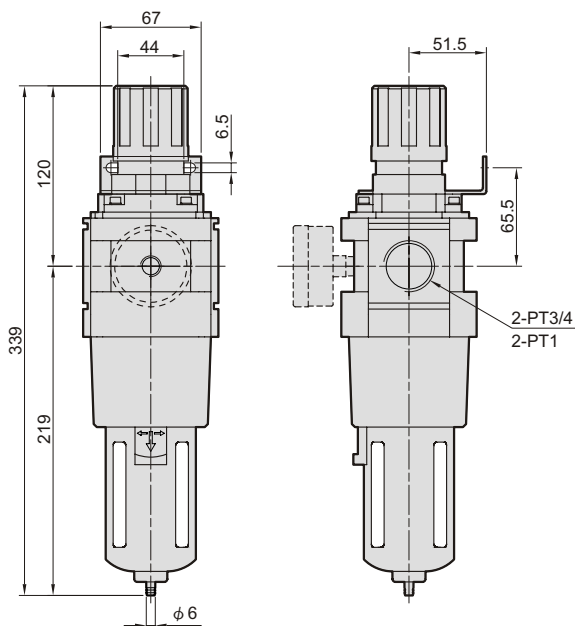
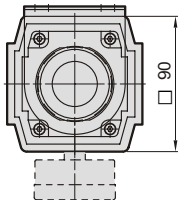
**Order example:**

**MAFR500 — 20A — BSP**

MODEL

BORE SIZE  
20A: PT 3/4"  
25A: PT 1"

PORT THREAD  
Blank: PT thread  
BSP: BSP thread  
NPT: NPT thread



**Flow feature:**

