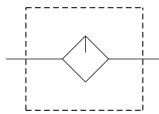


MAL410 series Stainless steel #316 type

AIR UNITS (L.UNIT)



Symbol:



Specification:

| Model | MAL410 | | |
|-----------------------------|--|--------|--------|
| Bore No. | 10A | 15A | 20A |
| Port size | PT 3/8 | PT 1/2 | PT 3/4 |
| Medium | Air | | |
| Operating pressure range | 0~9.9 kgf/cm ² (0~0.99 MPa) | | |
| Proof pressure | 15 kgf/cm ² (1.5 MPa) | | |
| Ambient temperature | -5~+60°C (No freezing) | | |
| Lubricating oil capacity | 130c.c | | |
| Min. flow for oil drip | 50 ℓ /min | | |
| Recommended lubricating oil | Turbine oil ISO-VG32 | | |
| Weight | 1680 g | | |

Order example:

MAL410 – 15A – BSP

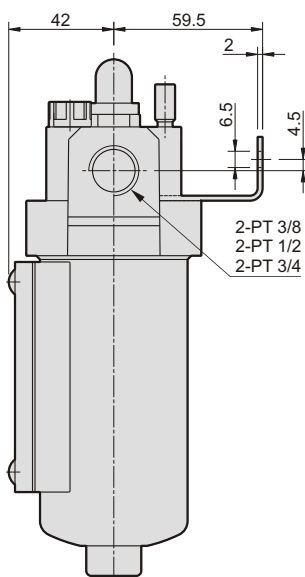
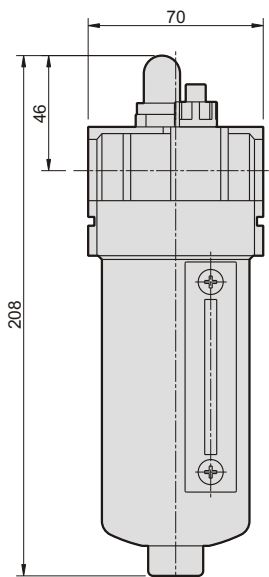
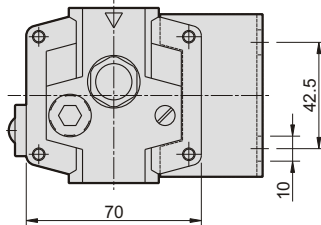
MODEL

BORE SIZE

10A: PT 3/8
15A: PT 1/2
20A: PT 3/4

PORT THREAD

Blank: PT thread
BSP: BSP thread
NPT: NPT thread



Flow feature :

