

Features:

- Compact design for low weight and high reliability of long life.
- Suitable for high moments and high gripping-forces.
- The housing: high-tensile aluminium and special hard-coated.

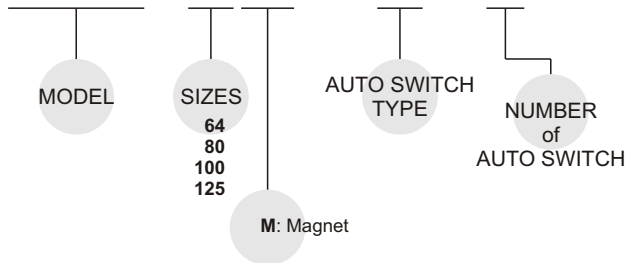
Specification:

Model	MCHQ-64	MCHQ-80	MCHQ-100	MCHQ-125
Acting type	Double acting			
Bore	25	32	40	50
Stroke	12	16	20	26
Fluid	Air 3~7 kgf/cm ²			
Ambient temperature	-5~+60°C (No freezing)			
Lubrication	Not required			
Weight(kg)	0.28	0.45	0.76	1.4

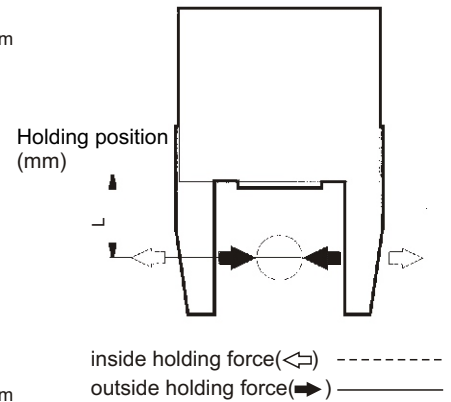
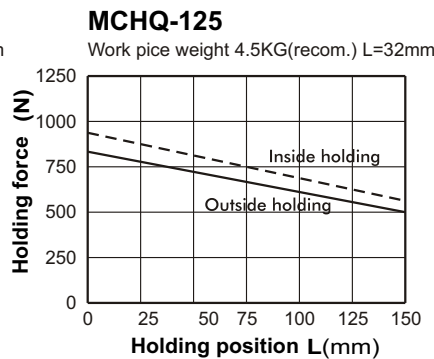
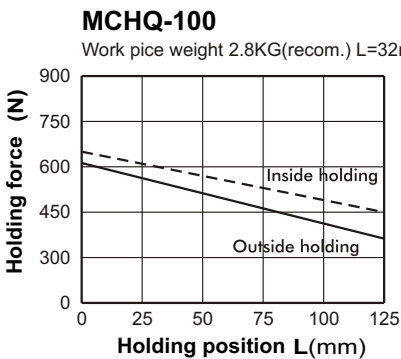
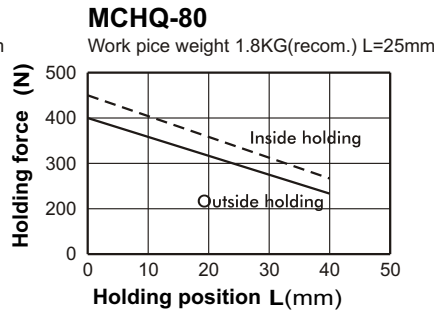
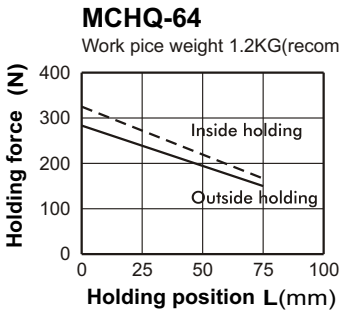
● Maintenance: Re-Lubrication after appr. 1.5 million cycles

Order example:

MCHQ-64(M) - RH × 1



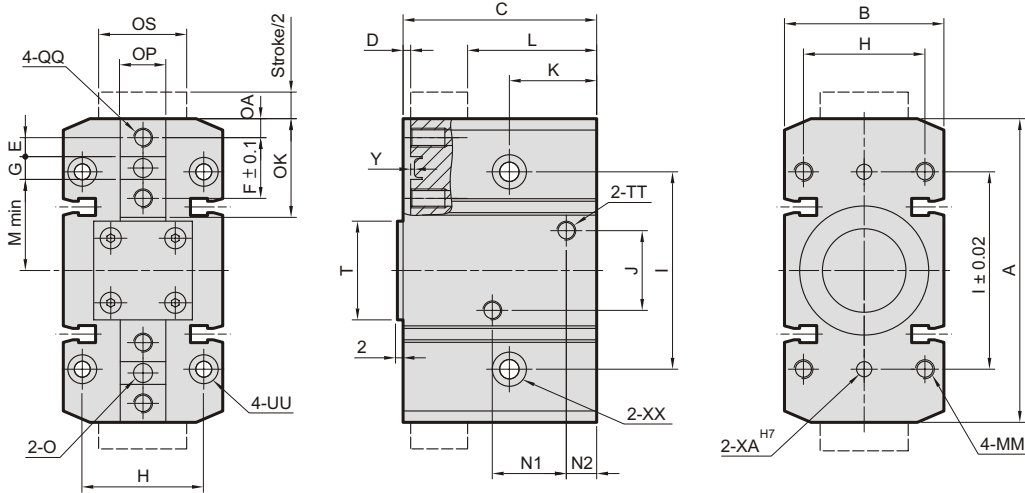
Gripping force in relation to the holding position "L" at 6kgf/cm²



- With reference to the holding force, under the condition must be considered.
- Condition: friction coefficient, great acceleration impact is expected during work piece rotate.
- It recommend: select a type of arithmetic holding force that can produce 10 to 20 times for work piece weight.

MCHQ Dimensions $\phi 25 \sim \phi 50$

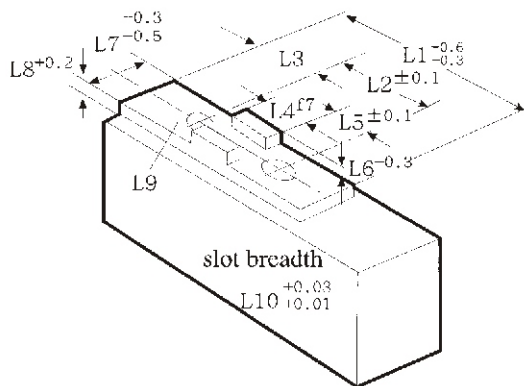
LOWER HEIGHT PARALLEL GRIPPERS



Code Model	A	B	C	D	E	F	G	H	I	J	K	L	M	MM	N1	N2	O	OA	OK	OP	OS	QQ	T	TT
MCHQ-64	64	36	42	2	4	13	5	27	42	16	22	27	19	M5×0.8	16.5	7	$\phi 4$	4	20	10.2	18.2	M4×0.7×8dp	20	M5×0.8
MCHQ-80	80	42	51	2	5	16	6	32	52	21	23	34	24	M5×0.8	19.5	8	$\phi 5$	5	25	12.2	23.2	M5×0.8×9dp	25	M5×0.8
MCHQ-100	100	50	59	3	6	20	8	38	66	46	20	40	30	M6×1.0	21.5	9.5	$\phi 6$	6	32	14.2	27.2	M6×1.0×12dp	25	PT 1/8
MCHQ-125	125	60	68	5	8	24	8	45	82	55	36	44	38	M8×1.25	22	10.5	$\phi 6$	8.5	40	16.2	30.2	M6×1.0×12dp	36	PT 1/8

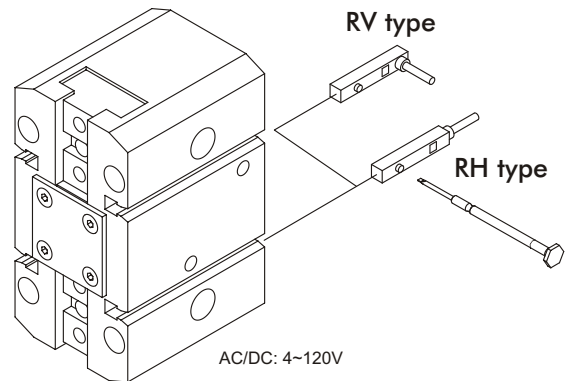
Code Model	UU	XA	XX	Y
MCHQ-64	$\phi 4.2$ thru, $\phi 7.5 \times 26$ dp	$\phi 4$	$\phi 4.5$ thru, $\phi 8 \times 8$ dp	2.5
MCHQ-80	$\phi 4.2$ thru, $\phi 7.5 \times 34$ dp	$\phi 4$	$\phi 5.1$ thru, $\phi 9 \times 10$ dp	3
MCHQ-100	$\phi 5.2$ thru, $\phi 9.1 \times 45$ dp	$\phi 5$	$\phi 6.6$ thru, $\phi 11 \times 12$ dp	3
MCHQ-125	$\phi 6.8$ thru, $\phi 11 \times 41$ dp	$\phi 6$	$\phi 9$ thru, $\phi 15 \times 14$ dp	3.5

Finger blanks



Code Model	L1	L2	L3	L4	L5	L6	L7	L8	L9	L10
MCHQ-64	20	13	4	5	4	2.5	10.2	4.5	$\phi 4.5$	4
MCHQ-80	25	16	5	6	5	3	12.2	5.5	$\phi 5.5$	5
MCHQ-100	32	20	6	8	6	3	14.2	5.5	$\phi 6.6$	6
MCHQ-125	40	24	8.5	8	8	3.5	16.2	5.5	$\phi 6.6$	6

Installation of sensor switch



AC/DC: 4~120V