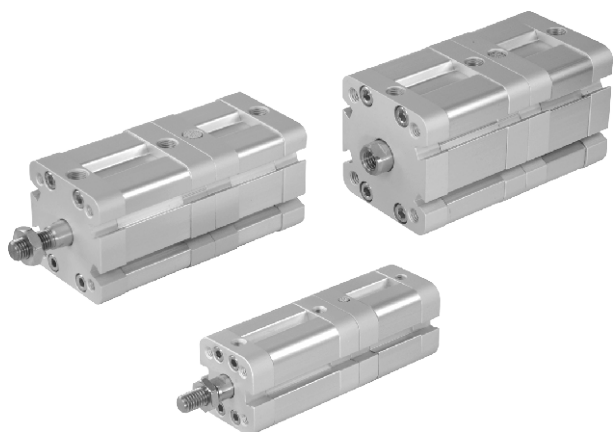


MCJI Multiple position COMPACT CYLINDER



Specification

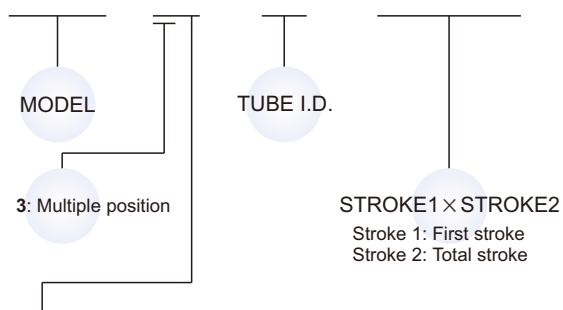
| Model | MCJI-3* | |
|-------------------------------|--------------------------|--------------------|
| Acting type | Double acting | |
| Tube I.D.(mm) | 20, 25 | 32, 40, 50, 63, 80 |
| Port size | M5 × 0.8 | G1/8 |
| Medium | Air | |
| Operating pressure range | 0.05~1 MPa | |
| Proof pressure | 1.5 MPa | |
| Cushion | Rubber bumper | |
| Available speed range | 50~500 mm/sec | |
| Lubricator | Without lubrication | |
| Stroke length tolerance (※ 1) | + 0~+ 1.0 mm | |
| Ambient temperature | -5°C~+60°C (No freezing) | |
| Sensor switch (※ 2) | RCI | |

※ 1. Stroke length tolerance does not include the amount of bumper change.

※ 2. RCI specification, please refer to page 8-11.

Order example

MCJI - 32 - 40 - 20 × 25



STYLE

| Code | Symbol | Description |
|------|--------|-------------------------------|
| 3 1 | | Double acting / Male thread |
| 3 2 | | Double acting / Female thread |

※ Order example for special specification, refer to page 0-7.

Table for standard stroke

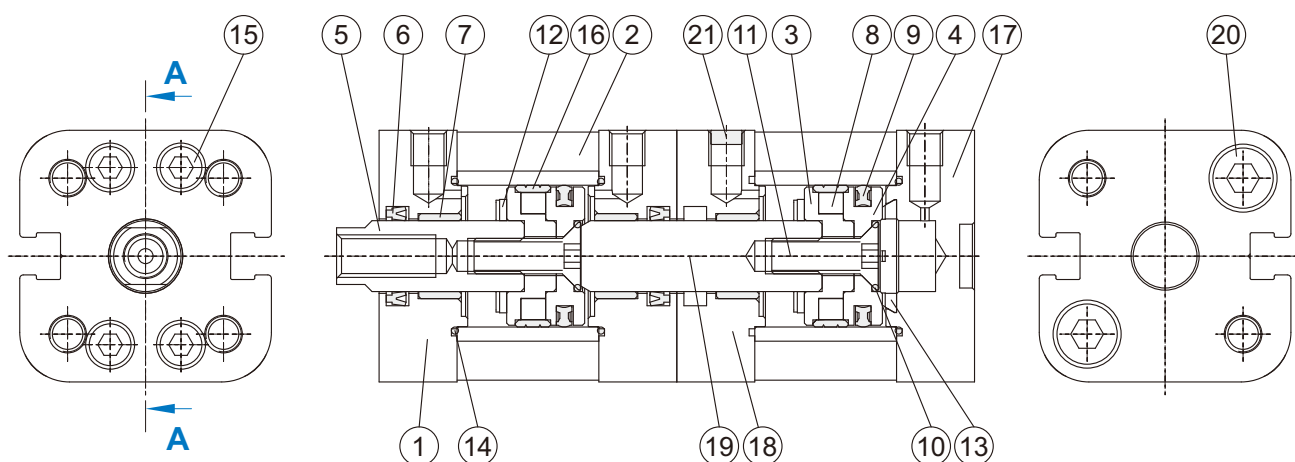
| Tube I.D. | First stroke (mm) | Max. stroke |
|-----------|---|-------------|
| φ 20,25 | 5, 10, 15, 20, 25, 30, 40, 50, 60, 80, 100 | 110 |
| φ 32,40 | 5, 10, 15, 20, 25, 30, 40, 50, 60, 80, 100 | 120 |
| φ 50,63 | 10, 15, 20, 25, 30, 40, 50, 60, 80, 100, 110, 120 | 150 |
| φ 80 | 15, 20, 25, 30, 40, 50, 60, 80, 100, 110, 120 | 140 |

| Tube I.D. | Total stroke (mm) |
|-----------|---|
| φ 20,25 | 5, 10, 15, 20, 25, 30, 40, 50, 60, 80, 100, 200 |
| φ 32,40 | 5, 10, 15, 20, 25, 30, 40, 50, 60, 80, 100, 200, 300 |
| φ 50,63 | 10, 15, 20, 25, 30, 40, 50, 60, 80, 100, 200, 300, 400 |
| φ 80 | 15, 20, 25, 30, 40, 50, 60, 80, 100, 200, 300, 400, 500 |

※ Please consult us if stroke out of specification.

MCJI Multiple position Inside structure & Parts list

COMPACT CYLINDER



A-A

Material

| No. | Part name | Material | Q'y | Component parts (inclusion) | Repair kits (inclusion) |
|-----|----------------|---------------------|-----|-----------------------------|-------------------------|
| 1 | Rod cover | Aluminum alloy | 2 | ● | |
| 2 | Tube | Aluminum alloy | 2 | | |
| 3 | Piston-R | Aluminum alloy | 2 | ● | |
| 4 | Piston-H | Aluminum alloy | 2 | ● | |
| 5 | Piston rod | Medium carbon steel | 1 | | |
| 6 | Rod packing | NBR | 2 | ● | ● |
| 7 | Bush | Bearing alloy | 3 | ● | |
| 8 | Magnet ring | Magnet material | 2 | ● | |
| 9 | Piston packing | NBR | 2 | ● | ● |
| 10 | O-ring | NBR | 2 | ● | ● |
| 11 | Screw | Carbon steel | 2 | ● | |
| 12 | Cushion | NBR | 2 | ● | ● |
| 13 | Cushion | NBR | 1 | ● | ● |
| 14 | O-ring | NBR | 3 | ● | ● |
| 15 | Screw | Stainless steel | 8 | ● | |
| 16 | Wear ring | Teflon | 2 | ● | |
| 17 | End cover | Aluminum alloy | 1 | ● | |
| 18 | Center cover | Aluminum alloy | 1 | ● | |
| 19 | Piston rod | Medium carbon steel | 1 | | |
| 20 | Screw | Carbon steel | 2 | | |
| 21 | Silencer | Brass | 1 | ● | |

Order example of component parts / repair kits

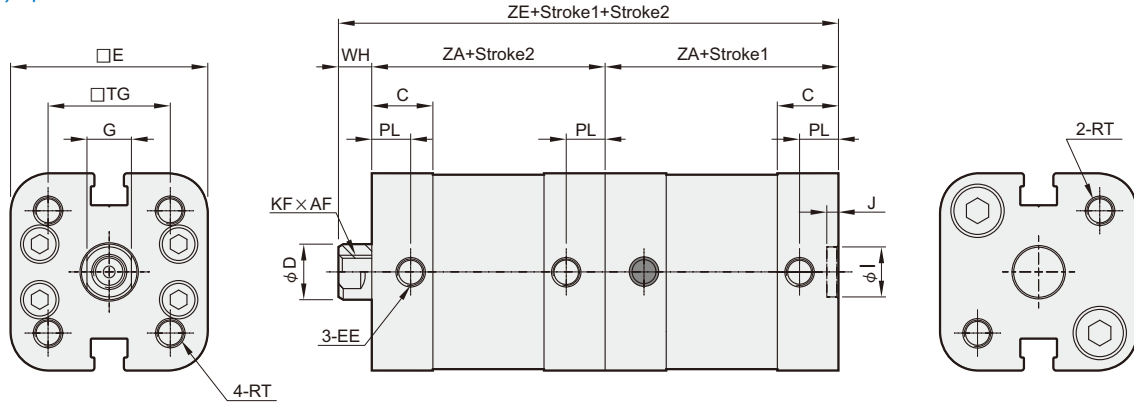
| Tube I.D. | Component parts | Repair kits |
|-----------|-----------------|---------------|
| φ 20 | CP-MCJI-32-20 | PS-MCJI-32-20 |
| φ 25 | CP-MCJI-32-25 | PS-MCJI-32-25 |
| φ 32 | CP-MCJI-32-32 | PS-MCJI-32-32 |
| φ 40 | CP-MCJI-32-40 | PS-MCJI-32-40 |
| φ 50 | CP-MCJI-32-50 | PS-MCJI-32-50 |
| φ 63 | CP-MCJI-32-63 | PS-MCJI-32-63 |
| φ 80 | CP-MCJI-32-80 | PS-MCJI-32-80 |

MCJI Multiple position Dimensions $\phi 20 \sim \phi 80$

COMPACT CYLINDER

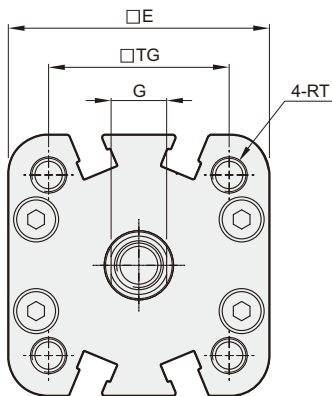


$\phi 20, \phi 25$

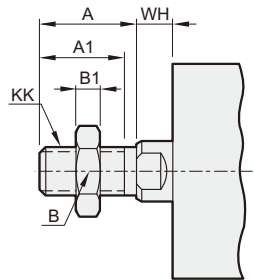


※ Stroke1: First stroke, Stroke2: Total stroke.

$\phi 32 \sim \phi 80$



MCJI-31 (Double acting / Male thread)



| Code Tube I.D. | A | A1 | B | B1 | KK |
|-------------------|----|----|----|----|----------|
| 20 | 16 | 14 | 13 | 4 | M8×1.25 |
| 25 | 16 | 14 | 13 | 4 | M8×1.25 |
| 32 | 19 | 17 | 17 | 5 | M10×1.25 |
| 40 | 19 | 17 | 17 | 5 | M10×1.25 |
| 50 | 22 | 20 | 19 | 6 | M12×1.25 |
| 63 | 22 | 20 | 19 | 6 | M12×1.25 |
| 80 | 28 | 26 | 24 | 8 | M16×1.5 |

| Code Tube I.D. | AF | C | D | E | EE | G | WH | I | J | KF | PL | TG | RT | ZA | ZE |
|-------------------|----|------|----|------|--------|----|----|----|-----|----------|-----|------|---------|----|-----|
| 20 | 14 | 11 | 10 | 35.5 | M5×0.8 | 8 | 6 | 9 | 2.1 | M6×1.0 | 7 | 22 | M5×0.8 | 37 | 80 |
| 25 | 14 | 11 | 10 | 39.5 | M5×0.8 | 8 | 6 | 9 | 2.1 | M6×1.0 | 7 | 26 | M5×0.8 | 39 | 84 |
| 32 | 15 | 14 | 12 | 47 | G1/8 | 10 | 7 | 9 | 2.1 | M8×1.25 | 7.5 | 32.5 | M6×1.0 | 44 | 95 |
| 40 | 15 | 14 | 12 | 54.5 | G1/8 | 10 | 7 | 9 | 2.1 | M8×1.25 | 7.5 | 38 | M6×1.0 | 45 | 97 |
| 50 | 18 | 14 | 16 | 65.5 | G1/8 | 14 | 8 | 12 | 2.6 | M10×1.5 | 7.5 | 46.5 | M8×1.25 | 45 | 98 |
| 63 | 18 | 14.5 | 16 | 75.5 | G1/8 | 14 | 8 | 12 | 2.6 | M10×1.5 | 7.5 | 56.5 | M8×1.25 | 49 | 106 |
| 80 | 20 | 15.5 | 20 | 95.5 | G1/8 | 17 | 10 | 12 | 2.6 | M12×1.75 | 8 | 72 | M10×1.5 | 54 | 118 |

※ Stroke1: First stroke, Stroke2: Total stroke.