

# MCJK series

## COMPACT CYLINDERS



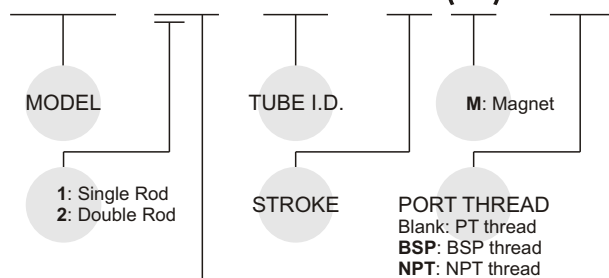
### Features:

- Ultra-compact, lightweight, space-saving type.
- Available with a comprehensive selection of bore size ( $\phi$  16mm~ $\phi$  100mm) for the various needs.
- The highly accurate, air-driven push-pull work.

Model	MCJK		
Tube I.D. (mm)	16, 20, 25	32, 40	50, 63, 80, 100
Port size RC(PT)	M5	PT 1/8	PT 1/4
Medium	Air		
Operating pressure range	0.5~9.9 kgf/cm <sup>2</sup>		
Proof pressure	15 kgf/cm <sup>2</sup>		
Ambient temperature	-5~+60°C (No freezing)		
Cushion	With rubber cushion pad		
Lubrication	Not required		
Sensor switch	RCS		
Sensor switch holder	HK		

### Order example:

MCJK - 11 - 40 - 25(M) - BSP



### STYLE:

Code	SYMBOL	Description
1 1		Double acting / Male thread
1 2		Double acting / Female thread
1 3		Single acting / Normally extended male thread
1 4		Single acting / Normally extended female thread
1 5		Single acting / Normally returned male thread
1 6		Single acting / Normally returned female thread
2 1		Dual rod / Male thread
2 2		Dual rod / Female thread
2 7		Dual rod / Adjustable male thread Please mark "adjustable distance(mm)" at order list
2 8		Dual rod / Adjustable female thread Please mark "adjustable distance(mm)" at order list

### Double acting - Table for standard stroke

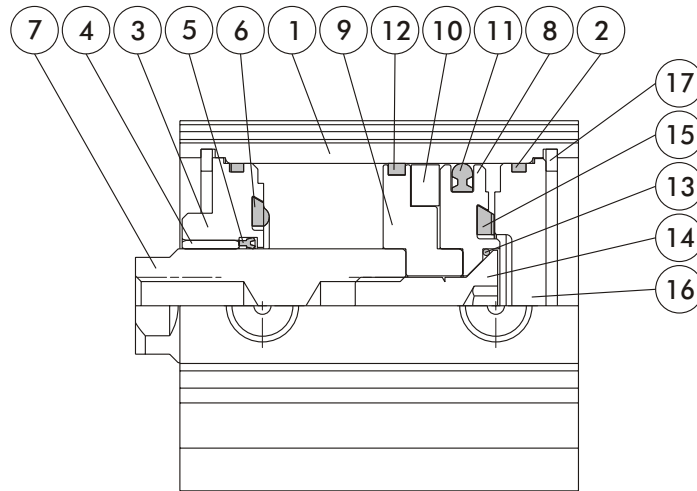
	Tube I.D.	Stroke (mm)	Max. stroke
Single rod Dual rod	$\phi$ 16	5, 10, 15, 20, 25, 30	300
	$\phi$ 20, 25	5, 10, 15, 20, 25, 30, 35, 40, 45, 50	
	$\phi$ 32, 40		
	$\phi$ 50		
	$\phi$ 63		
	$\phi$ 80		
	$\phi$ 100		

- Stroke out of specification is also available.
- Please consult us if stroke out of specification.

### Single acting - Table for standard stroke

Tube I.D.	Stroke (mm)
$\phi$ 16, 20, 25, 32, 40	5, 10
$\phi$ 50	10, 20

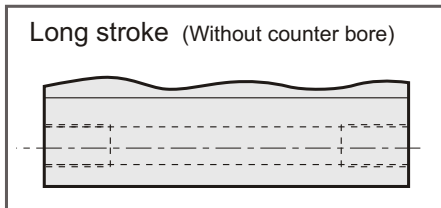
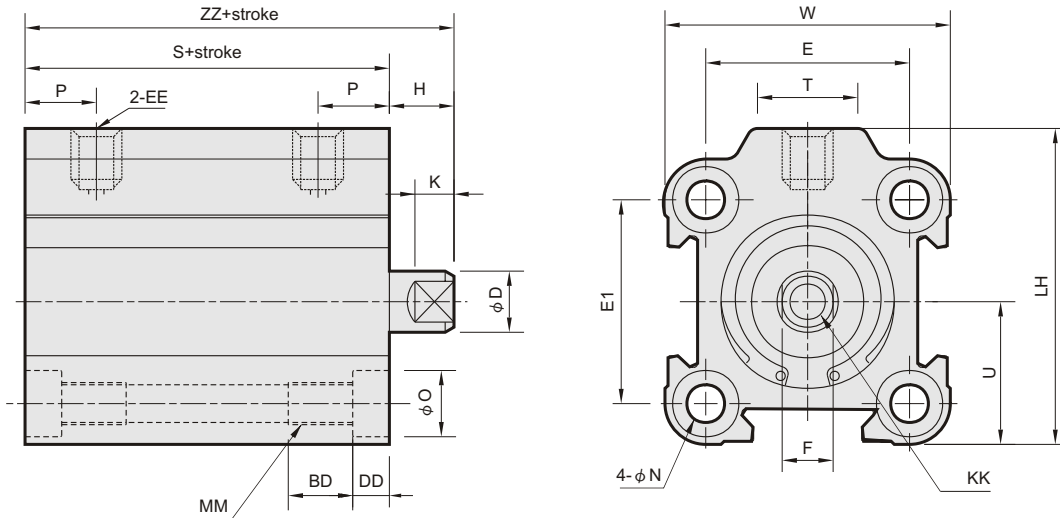
**Double acting**



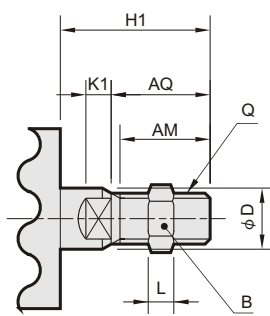
**Material**

No.	Part name	Material	Note
1	Body	Aluminum alloy	
2	Cover ring	NBR	
3	Rod cover	Aluminum alloy	
4	Rod bush	Copper	
5	Rod packing	NBR	
6	Rod cushion	NBR	
7	Piston rod	Carbon steel	
8	Piston	Aluminum alloy	
9	Piston	Aluminum alloy	for with magnet
10	Magnet ring	Magnet material	for with magnet
11	Piston packing	NBR	
12	Wear ring	Teflon	for with magnet
13	Piston gasket	NBR	
14	Screw	Carbon steel	
15	Head cushion	NBR	
16	End cover	Aluminum alloy	
17	Stop ring	Carbon tool steel	

### MCJK-12



※ with magnet type: the stroke length must be over 100mm.



Code Tube I.D.	AM	AQ	B	H1	K1	L	Q
16	9	10.5	8	14	3	4	M5×0.8
20	12	14	13	18.5	3	5	M8×1.25
25	15	17.5	17	22	3	6	M10×1.25
32	20.5	23.5	22	28.5	3	8	M14×1.5
40	20.5	23.5	22	28.5	5	8	M14×1.5
50	26	28.5	26	33.5	3	11	M18×1.5
63	26	28.5	26	33.5	3	11	M18×1.5
80	32.5	35.5	32	48.5	10	13	M22×1.5
100	32.5	35.5	35	52.5	14	14	M26×1.5

### Outer size table

Code Tube I.D.	BD	D	DD	E	EE	E1	F	H	K	KK	LH	MM	N	O	P	S(※)	T	U	W	ZZ(※)
16	7	6	3.5	20	M5×0.8	20	5	4	3	M3×0.5 Screw depth 6	31	M4×0.7	3.7	6	8.7	31.5(21.5)	11	14	28	35.5(25.5)
20	10	10	5	22	M5×0.8	22	8	4.5	3	M5×0.8 Screw depth 7	35	M5×0.8	4.6	7.5	9	36 (26)	11	16	32	40.5(30.5)
25	10	12	5	26	M5×0.8	28	10	4.5	3	M6×1.0 Screw depth 12	44.5	M5×0.8	4.6	8	9.5	40 (30)	16.5	19.5	38	44.5(34.5)
32	10	16	7	32	PT 1/8	36	14	7	5	M8×1.25 Screw depth 13	54	M6×1.0	5.5	9	10.5	41.5(31.5)	18	24	45	48.5(38.5)
40	10	16	7	40	PT 1/8	40	14	7	7	M8×1.25 Screw depth 13	60	M6×1.0	5.5	9	13.5	49.5(39.5)	18	27.25	54.5	56.5(46.5)
50	14	20	8	50	PT 1/4	50	17	8	6	M10×1.5 Screw depth 15	72.5	M8×1.25	7.4	10.5	14.5	50 (40)	22	32.5	65	58 (48)
63	18	20	10.5	62	PT 1/4	62	17	8	6	M10×1.5 Screw depth 15	88	M10×1.5	9.3	14	17.5	56.5(46.5)	22	40	80	64.5(54.5)
80	22	25	10.5	82	PT 1/4	82	22	13	10	M16×2 Screw depth 21	110	M10×1.5	9.3	14	22.5	65 (55)	26	50	100	78 (68)
100	22	30	11	103	PT 1/4	103	27	17	14	M20×2.5 Screw depth 27	134	M12×1.75	11.2	17.5	24.5	74 (64)	26	62	124	91 (81)

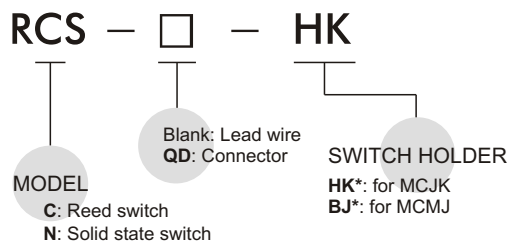
● S( ) and ZZ( ) indicate the size of that without magnet ring.

# MCJK Installation of sensor switch $\phi 16 \sim \phi 100$

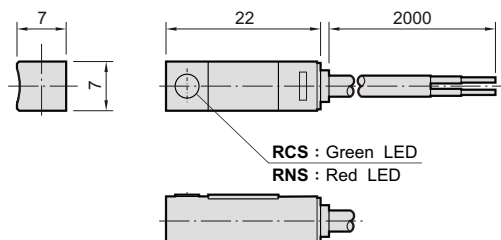
## COMPACT CYLINDERS



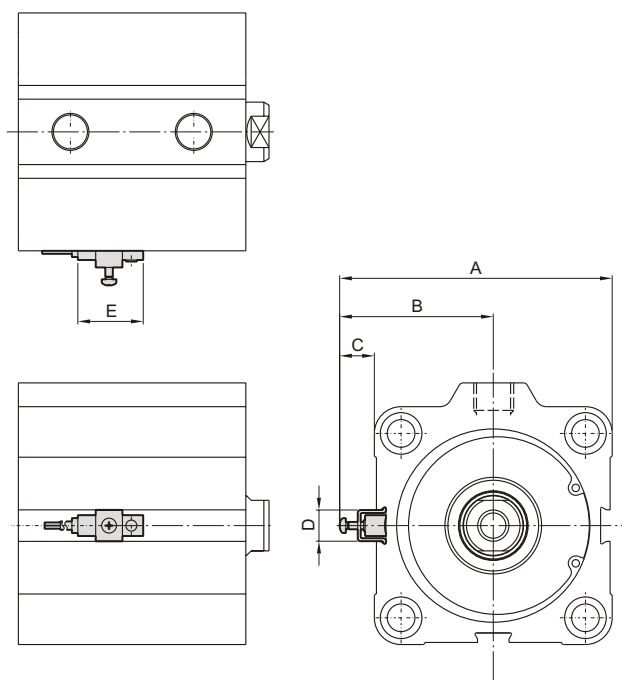
### Order example:



### Dimensions:



### Installation of sensor switch:



Code Tube I.D.	A	B	C	D	E
16	39.5	25.5	11.5	10.5	22
20	43.5	27.5	11.5	10.5	22
25	50.5	31	11.5	10.5	22
32	59.5	35.5	11.5	10.5	22
40	66	39	11.5	10.5	22
50	76.5	44	11.5	10.5	22
63	91.5	51.5	11.5	10.5	22
80	111.5	61.5	11.5	10.5	22
100	135.5	73.5	11.5	10.5	22