

Features

- Plate type design for ultra compact, Oval piston design for non-rotation and space saving.
- Sensor slots on sides for flush mounting of proximity sensors.
- Magnetic as standard.

Specification

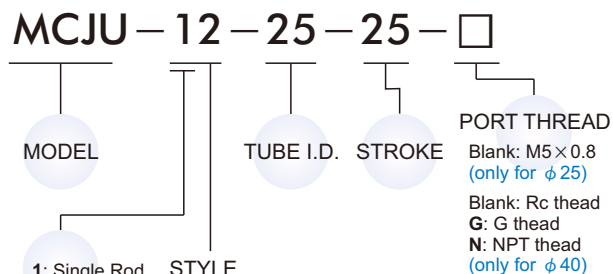
Model	MCJU	
Acting type	Double acting	
Tube I.D.(mm)	25	40
Port size	M5×0.8	Rc1/8
Medium	Air	
Operating pressure range	0.05~0.7 MPa	
Proof pressure	1.0 MPa	
Available speed range	50~500 mm/sec	
Lubricator	Without lubrication	
Cushion	Rubber bumper	
Stroke length tolerance (※1)	+0 ~ +1.5mm	
Ambient temperature	-5°C~+60°C (No freezing)	
Sensor switch (※2)	RDF, RDGV	

Table for standard stroke

Tube I.D.	Stroke (mm)	Max. stroke
φ 25, 40	5, 10, 15, 20, 25, 30, 40, 50, 75, 100, 200, 250	300

※ Please consult us if stroke out of specification.

Order example



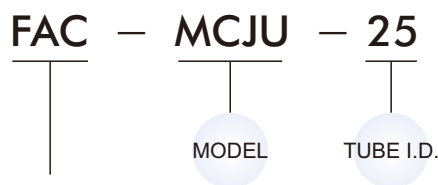
Code	Symbol	Description
1 1		Double acting / Male thread
1 2		Double acting / Female thread

※ Order example for special specification, refer to page 0-7.

※1. Stroke length tolerance does not include the amount of bumper change.

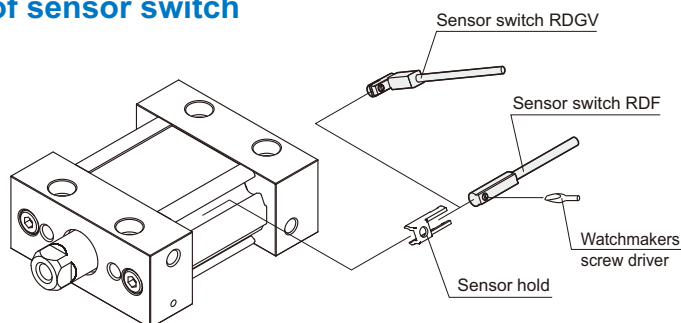
※2. RDF, RDGV specification, please refer to page 8-16, 17.

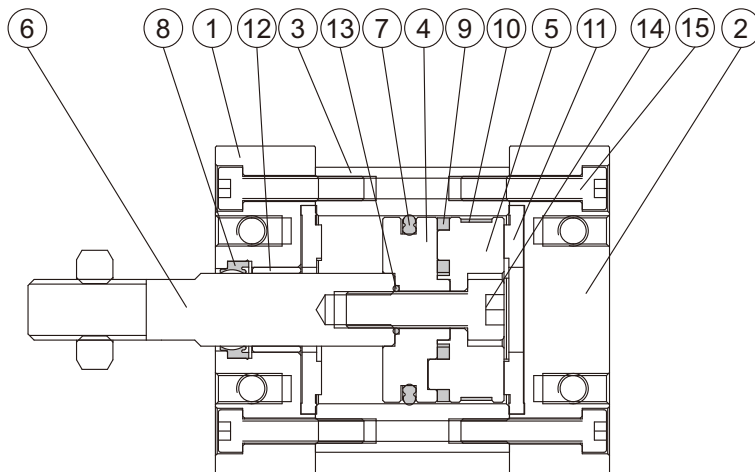
Mounting accessories



	LB
	FAC
	FBC

Installation of sensor switch





Order example of repair kits

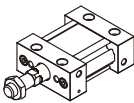
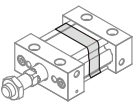
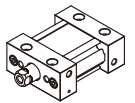
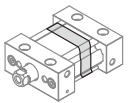
Material

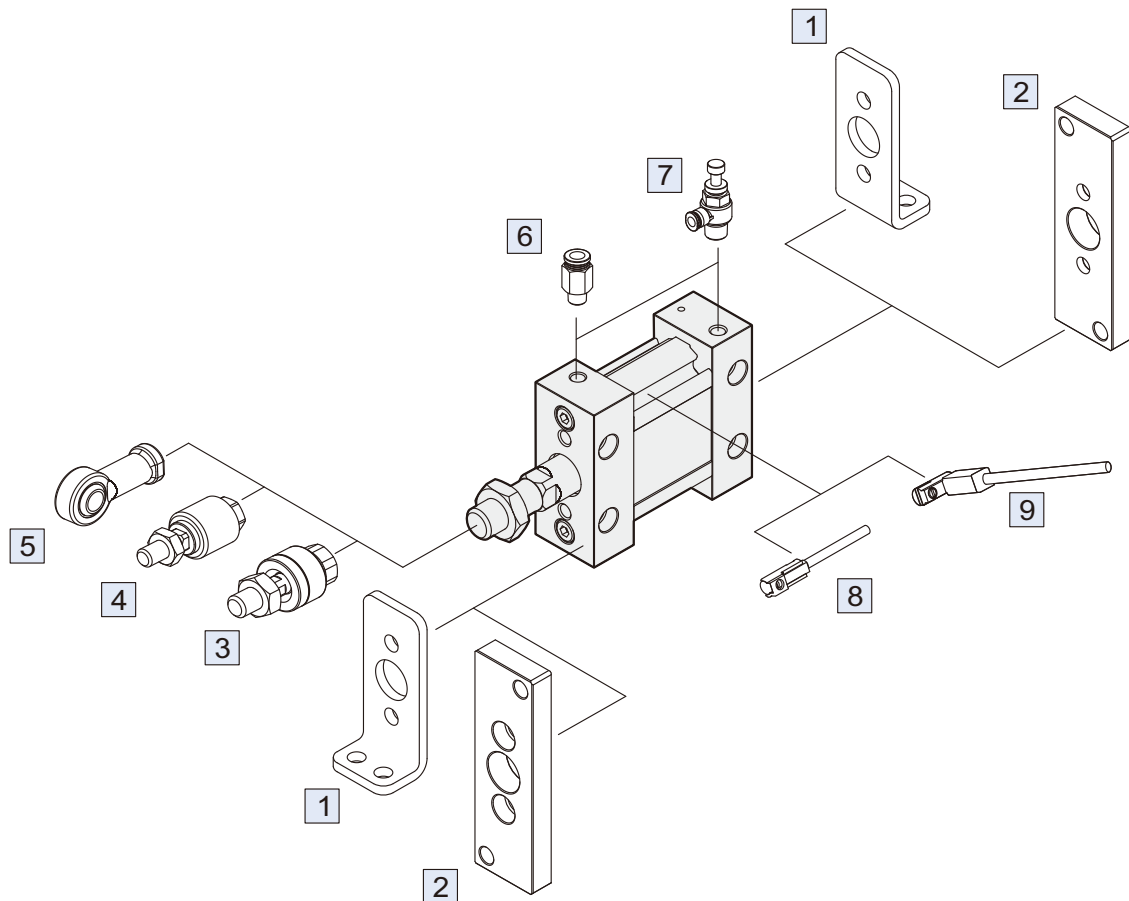
No.	Part name	Material	Q'y	Repair kits (inclusion)
1	Rod cover	Aluminum alloy	1	
2	End cover	Aluminum alloy	1	
3	Tube	Aluminum alloy	1	
4	Piston-R	Aluminum alloy	1	
5	Piston-H	Aluminum alloy	1	
6	Piston rod	Carbon steel	1	
7	Piston packing	NBR	1	●
8	Rod packing	NBR	1	●
9	Magnet ring	Magnet material	2	
10	Wear ring	Teflon	1	
11	Cushion	PU	2	
12	Bush	Bearing alloy	1	
13	O-ring	NBR	1	
14	Screw	Stainless steel	1	
15	Screw	Stainless steel	4	

Tube I.D.	Repair kits
φ 25	PS-MCJU-25
φ 40	PS-MCJU-40

Cylinder weight

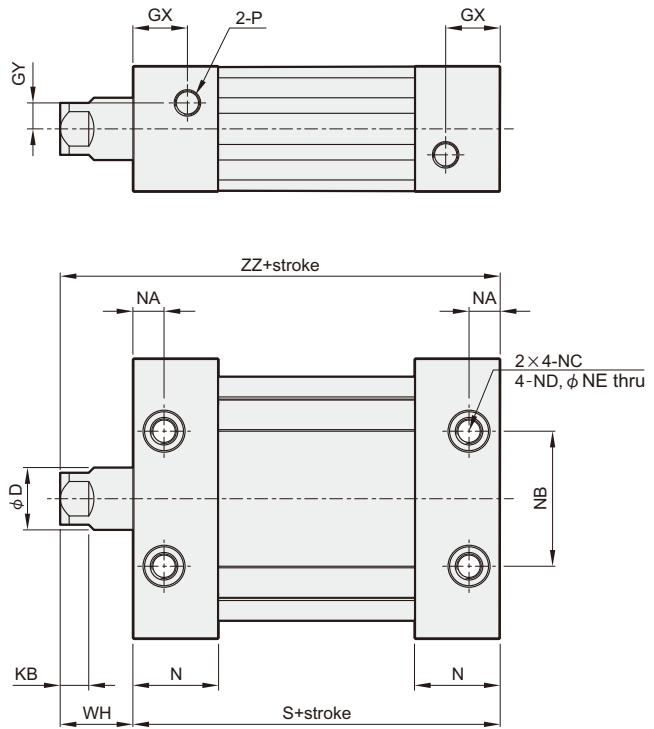
Unit: g

Model	Basic weight MCJU-11	Stroke 10 mm MCJU-11	Basic weight MCJU-12	Stroke 10 mm MCJU-12
Tube I.D.				
φ 25	192	20	167	20
φ 40	454	37	403	37

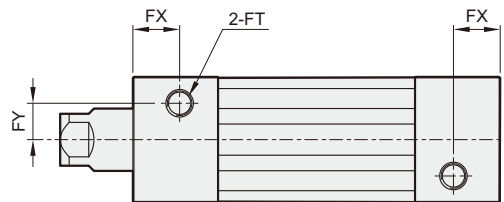
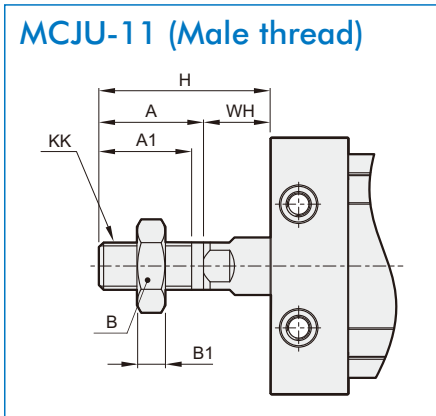


No.	Accessories	Page
1	Mounting accessories LB	2-51
2	Mounting accessories FAC/FBC	2-51
3	Floating joint MFC	8-2
4	Floating joint MFCS	8-4
5	Female rod ends PHS	8-5
6	Fitting PC (PISCO)	8-5 (Vol.1)
7	Speed controller JSC (PISCO)	8-18 (Vol.1)
8	Sensor switch RDF	8-16
9	Sensor switch RDGV	8-17

MCJU-12 (Female thread)



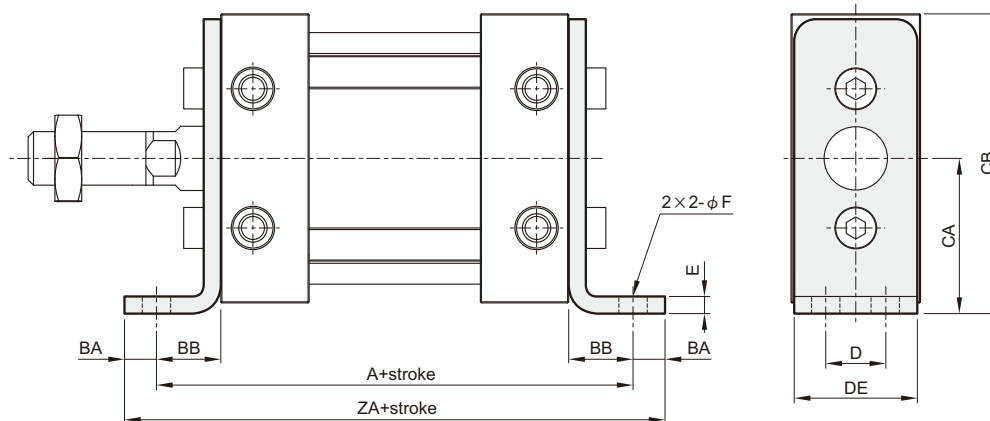
MCJU-11 (Male thread)



Code Tube I.D.	A	A1	B	B1	CA	CB	D	E	ET	FT	FX	FY	GX	GY	H	KA	KB	KK
25	22	19.5	17	6	54	24	12	26	M5×0.8×11dp	M5×0.8×7.5dp	9	7	10.5	5	36	10	5.5	M10×1.25
40	30	27	22	8	86	32	16	54	M8×1.25×11dp	M8×1.25×13dp	8	9	10	7	45	14	6	M14×1.5

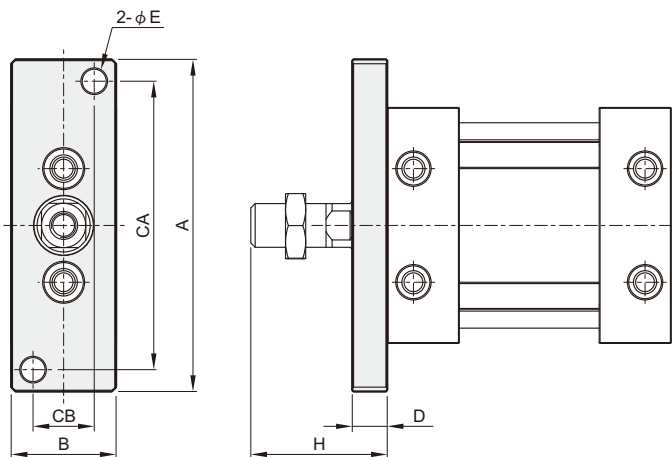
Code Tube I.D.	KT	N	NA	NB	NC	ND	NE	S	P	WH	ZZ
25	M6×1.0×12dp	16.5	6	26	sink $\phi 7.5 \times 4.5dp$	M5×0.8	4.2	55	M5×0.8	14	69
40	M8×1.25×13dp	18.5	8	36	sink $\phi 10.5 \times 6.5dp$	M8×1.25	6.7	60	Rc1/8	15	75

LB



Code Tube I.D.	A	BA	BB	CA	CB	D	DE	E	F	ZA
25	79	6	12	29	56	11	23	3.2	5.5	109
40	96	10	18	46	89	15	31	4.5	9	133

FAC



Code Tube I.D.	A	B	CA	CB	D	E	H	ZB
25	76	24	66	14	8	5.5	36	99
40	118	32	102	18	9	9	45	114

FBC

