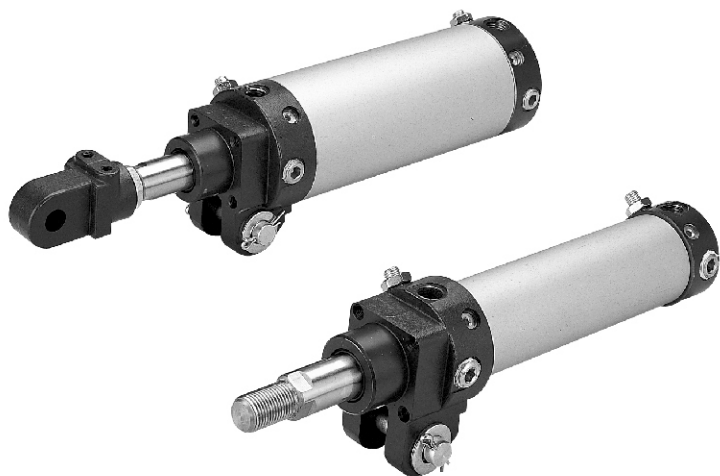


MCKA series

CLAMP CYLINDER



Features:

- Using anodized aluminum alloy barrel ensures better abrasion and corrosion proof.
- Use unlubricated bush & seals for durable servicelife.
- Piping position is versatile.
- With cushion at both ends to reduce impact.
- Available with magnetic piston and reed switch.

Specification:

Model	MCKA		
Acting type	Double acting		
Tube I.D. (mm)	40	50	63
Medium	Air		
Operating pressure range	0.5~9.9 kgf/cm ²		
Proof pressure	15 kgf/cm ²		
Temperature range	-5~ +60°C (No freezing)		
Lubrication	Not required		
Available speed range	50~500 mm/sec		
Cushion	With adjustable cushion at both ends		
Sensor switch	RCA		
Sensor switch holder	PN-A40	PN-A50	PN-A63

Order example:

MCKA - 40 - 100(M) - A

MODEL

TUBE I.D.

φ 40, φ 50, φ 63

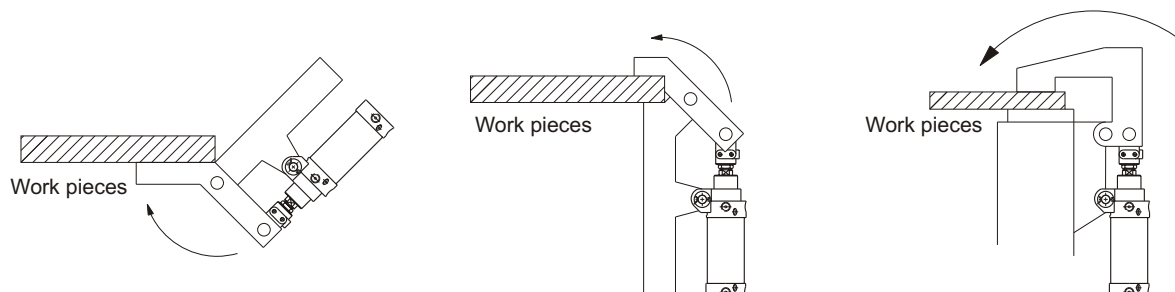
STROKE

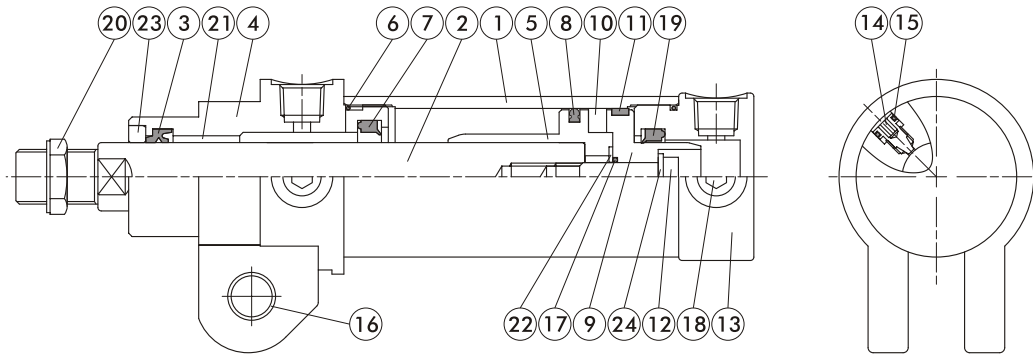
50
75
100
125
150

M: Magnet

Blank: With adjustable cushion
A: With flow adjustable

Application examples:





Material

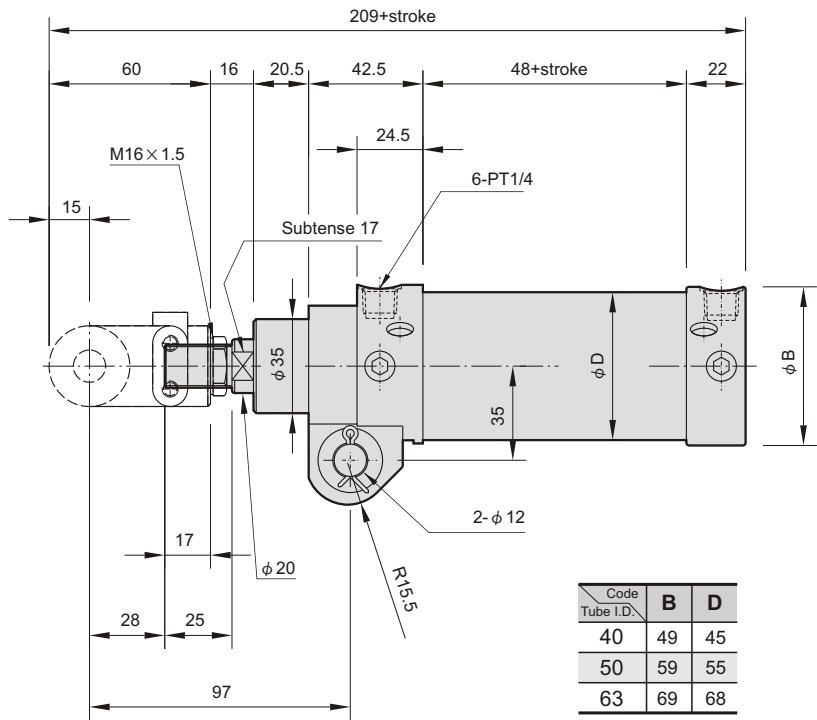
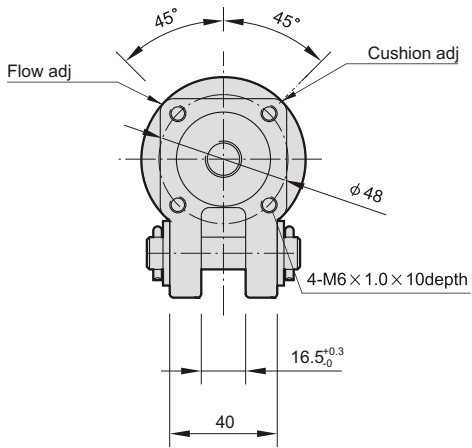
No.	Part name	Material
1	Tube	Aluminum alloy
2	Piston rod	Carbon steel
3	Rod packing	NBR
4	Rod cover	Carbon steel
5	Piston-R	Aluminum alloy
6	Cover ring	NBR
7	Cushing packing-R	NBR
8	Piston packing	NBR
9	Piston-H	Aluminum alloy
10	Magnet ring	Magnet material
11	Wear ring	Teflon
12	Piston bolt	SCM
13	Head cover	Carbon steel
14	Needle valve	Copper
15	Need valve packing	NBR
16	Bush	Copper
17	Piston gasket	NBR
18	Seal screw	Carbon steel
19	Cushion packing-H	NBR
20	Rod front nut	Carbon steel
21	Rod bush	Copper
22	Washer	Carbon steel
23	Scraper	Copper
24	Washer	Carbon steel

MCKA Dimensions $\phi 40, \phi 50, \phi 63$



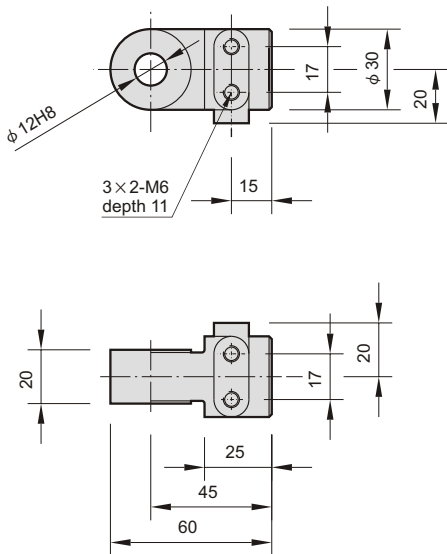
CLAMP CYLINDER

Construction:

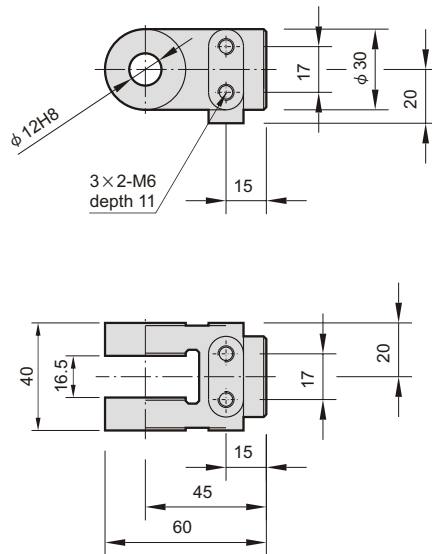


Code Tube I.D.	B	D
40	49	45
50	59	55
63	69	68

I connector



Y connector



Pin

