

MCRA series

ROTARY ACTUATOR



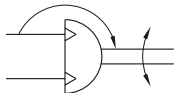
Features:

- Body size made more compact than ever.
- Functional design and clean appearance.
- Rail type mounting allows switch position to be adjusted very easily.

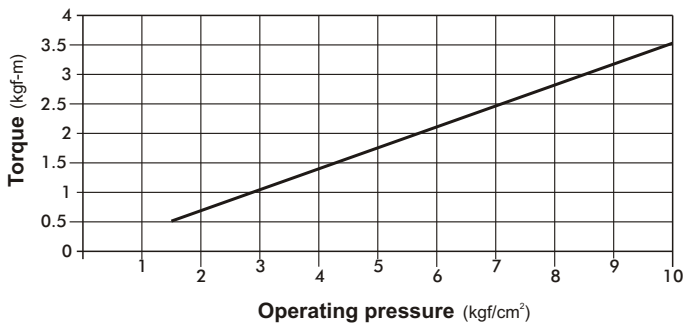
Specification:

Model	MCRA		
Acting type	Double acting		
Tube I.D. (mm)	φ 63		
Port size Rc(PT)	PT 1/8		
Medium	Air		
Operating pressure range	1~9.9 kgf/cm ²		
Proof pressure	15 kgf/cm ²		
Ambient temperature	- 5~+ 60°C (No freezing)		
Acting angle tolerance	0~+ 4°		
Lubrication	Not required		
Cushion	NBR ring		
Sensor switch	RCB, RCE, RCE1		
Weight (kg)	90°	180°	LB
	2.7	3.1	0.4

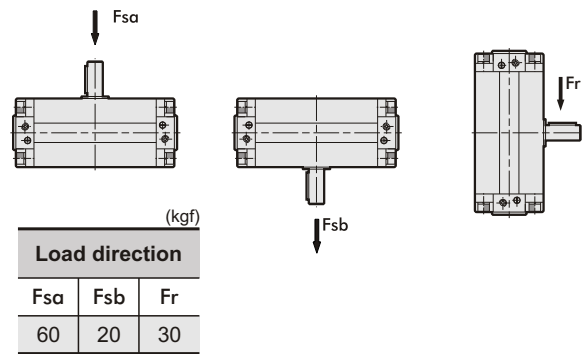
Symbol:



Torque diagram:



Shaft loading :



Order example:

MCRA — 63 — 90 — LB — BSP

MODEL

TUBE I.D.

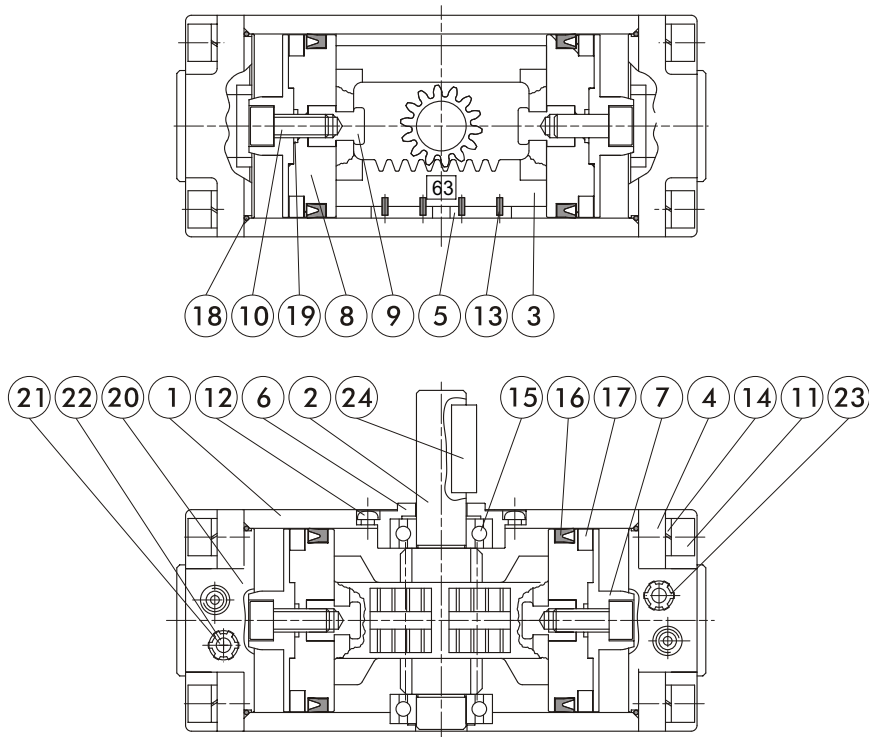
MOUNTING TYPE

ROTARY ANGLE

Code	Rotary angle
90	90 °
180	180 °

	Blank
	LB

PORT THREAD
Blank: PT thread
BSP: BSP thread
NPT: NPT thread



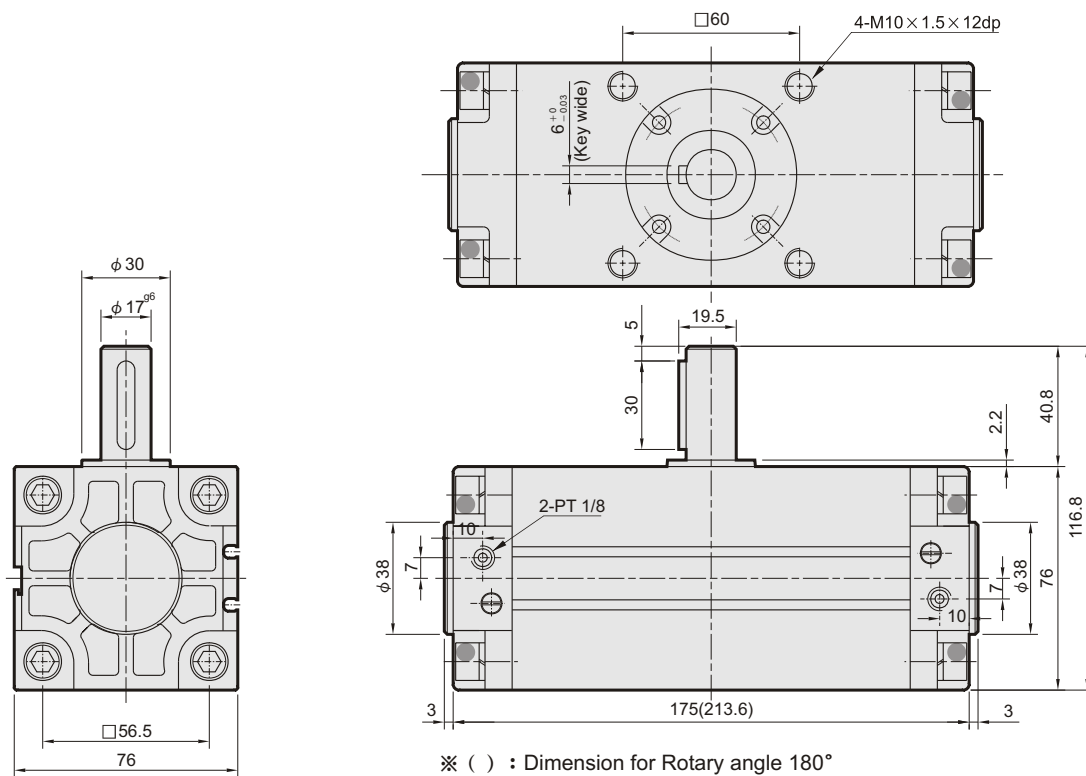
Material

No.	Part name	Material
1	Body	Aluminum alloy
2	Shaft	Carbon steel
3	Rack	Carbon steel
4	Cover	Aluminum alloy
5	Slider	Plastic
6	Bearing retainer	Aluminum alloy
7	Piston #1	Aluminum alloy
8	Piston #2	Aluminum alloy
9	Screw #1	Rolled steel
10	Screw #2	SCM
11	Bolt	SCM
12	Screw	SCM

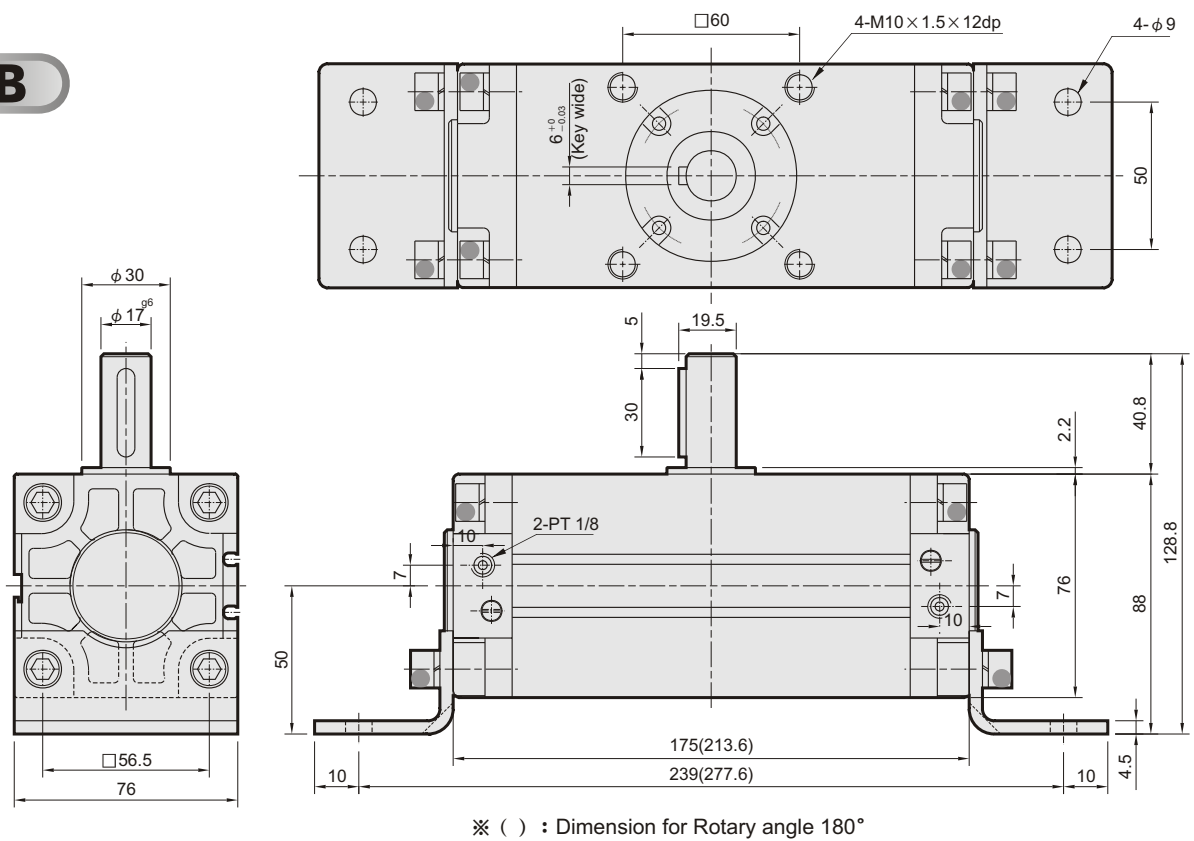
No.	Part name	Material
13	Spring pin	Spring steel
14	Spring washer	SCM
15	Bearing	Bearing steel
16	Piston packing	NBR
17	Magnet ring	Magnet material
18	Gasket	NBR
19	O ring	NBR
20	Cushion packing	NBR
21	Needle valve	Copper
22	Needle valve gasket	NBR
23	Needle valve washer	Aluminum alloy
24	Parallel key	Carbor steel

MCRA Dimensions $\phi 63$

ROTARY ACTUATOR



LB



MCRA Installation of sensor switch $\phi 63$

ROTARY ACTUATOR



Installation of sensor switch:

