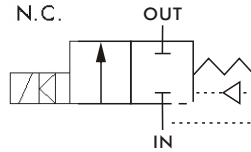


MEP series

2/2 WAY N.C. PLUNGER SERIES DIRECT ACTING SOLENOID VALVE



Specification :

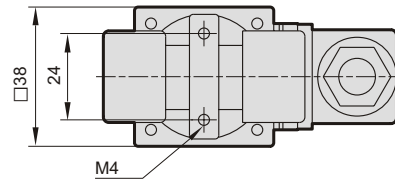
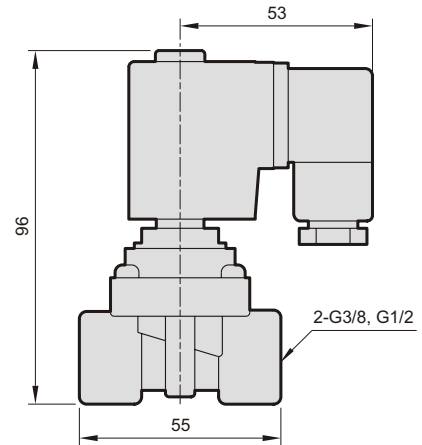
- IP65 100% ED coil

Power consumption:

Coil power	4	5
AC(VA)	17.6/15.4	33/23
DC(W)	15.0	18.5

Model	MEP	
Code Dimension (mm)	10	15
N.W.(Kg)	0.45	

Dimensions:



Order example:

MEP - 10 - N - C - 4 - □ - AC

MODEL

CODE
10: 3/8
15: 1/2

COIL
4, 5

PLUG
□: DIN
D: LED
G: 1/2"NPTF

VOLTAGE

SEAL MAT'L
N: NBR

BODY MAL'L
C: Brass

Specification:

Model MEP: Forged brass body, pressure forming S.S. plate, for water, air

PIPE G	Code no.	Seal mat'l	Coil	Orifice mm	Temp. °C		Working press. (0~ bar)								CV
					Coil 4	Coil 5	Coil 4				Coil 5				
							AC		DC		AC		DC		
							air	water	air	water	air	water	air	water	
3/8	10	N	4	15	-5~80	-5~120	1	0.5	0.5	-	1.5	1.0	1.0	0.5	1.8
1/2	15		5				1	0.5	0.5	-	1.5	1.0	1.0	0.5	2.2