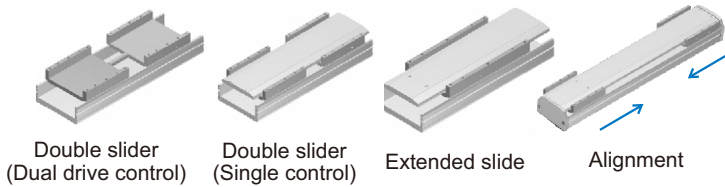
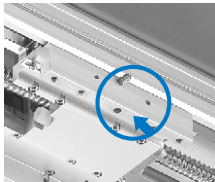


**Point 1 Various slide options**



**Point 2 Patent oil add hold (Option)**

(Industry only) Patented single grease fitting on the slide to lubricate multiple areas which can reduce maintenance overhead and time. Grease fitting can also be tailored to customer specified orientation.

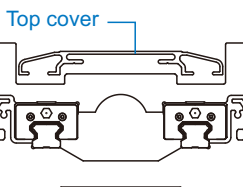


Patented grease fitting design  
(Copyright)©

**Point 3 High rigidity body and cover**

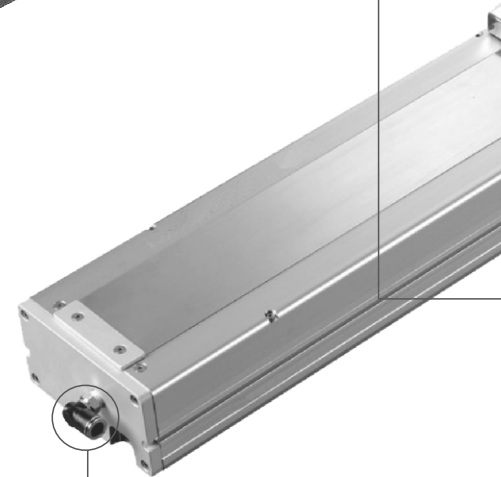
**High rigidity mainframe and cover**

One piece extruded aluminum structure for optimal rigidity and weight ratio.

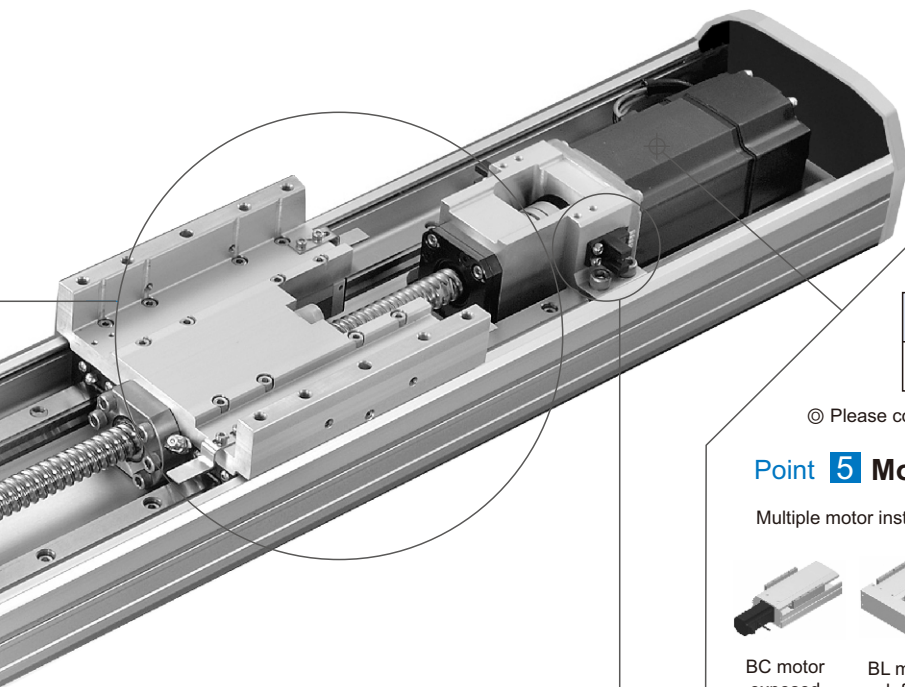


**Torsion resist top lid**

Special torsion-resistant top lid design to prevent deformation during long stroke.



**Clean room type**  
**CLASS10~1000**  
Vacuum connector for clean room use.



**Point 4 Motor brand**

Customer specified servo motor.

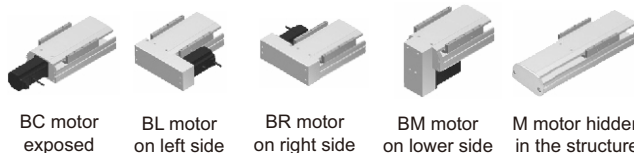
**Standard suitable motor brands**

Mitsubishi	Panasonic	Yaskawa	Delta
------------	-----------	---------	-------

© Please consult our sales personnel for other motor specifications.

**Point 5 Motor assembly location**

Multiple motor installation positions for added flexibility in tool design.



BC motor exposed

BL motor on left side

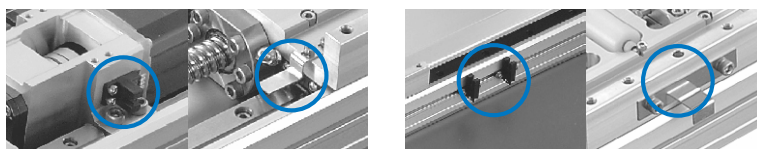
BR motor on right side

BM motor on lower side

M motor hidden in the structure

**Point 6 Sensor location**

Optional internal or external SENSOR locations.



Internal SENSOR

Internal SENSOR trigger device

External SENSOR

External SENSOR trigger device

**Point 7 Ball screw brand and lead**

Can customize screw specification and brand to match different precision and speed.

Screw lead pitch	
5	5mm
10	10mm
16	16mm
20	20mm
25	25mm
40	40mm