

MHC* series

COMPACT HYDRAULIC CYLINDERS



Features:

- Short stroke and compact body design minimizes total length.
- High quality and durability.

Specification

Model	MHCB, MHCQ
Tube I.D. (mm)	32, 40, 50, 63, 80
The range of stroke (mm)	50
Power fluid	Filtered oil
Material	Carbon steel
The range of pressure (MPa)	14 (140 kgf/cm ²)
The range of temperature (°C)	-10~+60

MHCB	Front mounting	
MHCB..D	Front mounting (Double end rod type)	
MHCQ	Side mounting	
MHCQ..D	Side mounting (Double end rod type)	

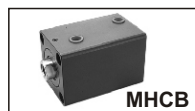
Standard stroke

Model	Stroke Bore	5	10	15	20	25	30	35	40	45	50
		MHCB	φ 32	●	●	●	●	●	●	—	—
φ 40	●		●	●	●	●	●	—	●	—	●
φ 50	●		●	●	●	●	●	—	●	—	●
φ 63	●		●	●	●	●	●	—	●	—	●
φ 80	●		●	●	●	●	●	—	●	—	●
MHCQ	φ 32	—	●	—	—	—	●	—	—	—	—
	φ 40	—	●	—	—	—	●	—	●	—	●
	φ 50	—	●	—	—	—	●	—	●	—	●
	φ 63	—	●	—	—	—	●	—	●	—	●

Order example:

MHCB — 50 / 25 — D — Z

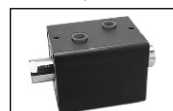
MODEL



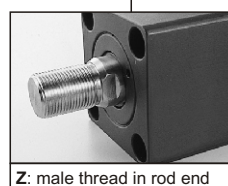
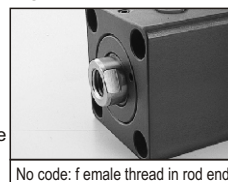
TUBE I.D.

STROKE

END ROD TYPE



ROD END TYPE



How to order the seal kit

MHC SK

B
Q

Bore	Seal kit
32	MHCB32,MHCQ32 - Including No.6,7,8,9,10
40	MHCB40,MHCQ40 - Including No.6,7,8,9,10
50	MHCB50,MHCQ50 - Including No.6,7,8,9,10
63	MHCB63,MHCQ63 - Including No.6,7,8,9,10
80	MHCB80 - Including No.6,7,8,9,10

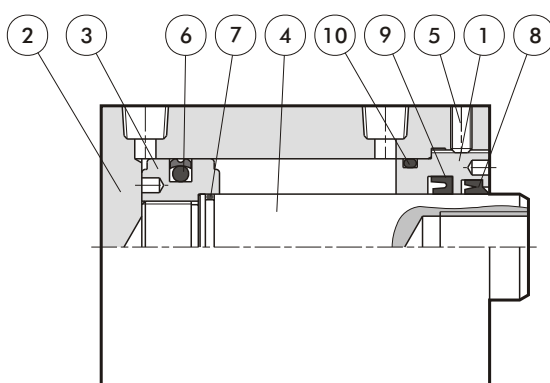
MHC SK D

B
Q

Bore	Seal kit
32	MHCB32D,MHCQ32D - Including No.6,7,8,9,10
40	MHCB40D,MHCQ40D - Including No.6,7,8,9,10
50	MHCB50D,MHCQ50D - Including No.6,7,8,9,10
63	MHCB63D,MHCQ63D - Including No.6,7,8,9,10
80	MHCB80D - Including No.6,7,8,9,10

MHCB

MHCQ

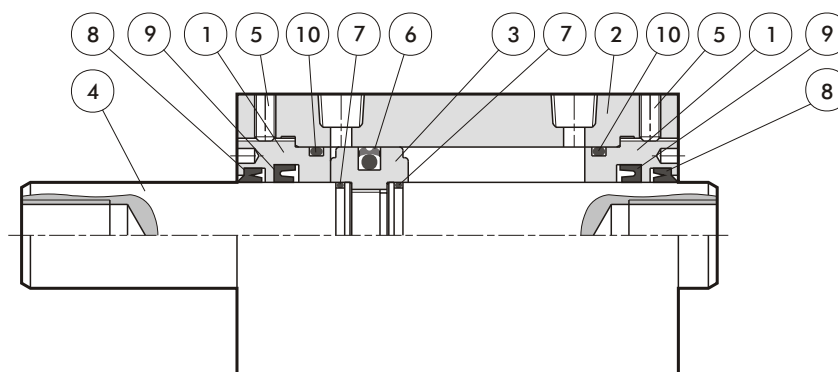


Parts list

No.	Part name	Quantity	No.	Part name	Quantity	No.	Part name	Quantity
1	Rod cover	1	5	Set screw	1	9	Rod packing	1
2	Cylinder tube	1	6	Piston packing	1	10	Cylinder gasket	1
3	Piston	1	7	Piston gasket	1	11		
4	Piston rod	1	8	Dust wiper	1	12		

MHCB-D

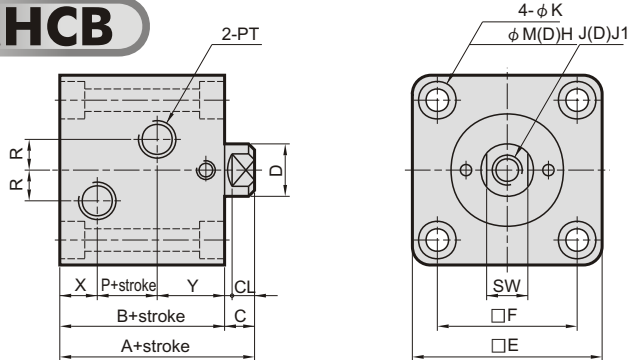
MHCQ-D



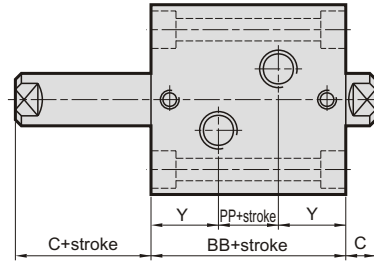
Parts list

No.	Part name	Quantity	No.	Part name	Quantity	No.	Part name	Quantity
1	Rod cover	2	5	Set screw	2	9	Rod packing	2
2	Cylinder tube	1	6	Piston packing	1	10	Cylinder gasket	2
3	Piston	1	7	Piston gasket	2	11		
4	Piston rod	1	8	Dust wiper	2	12		

MHCB



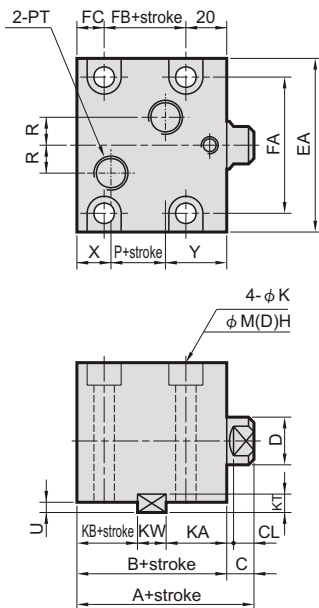
MHCB-D



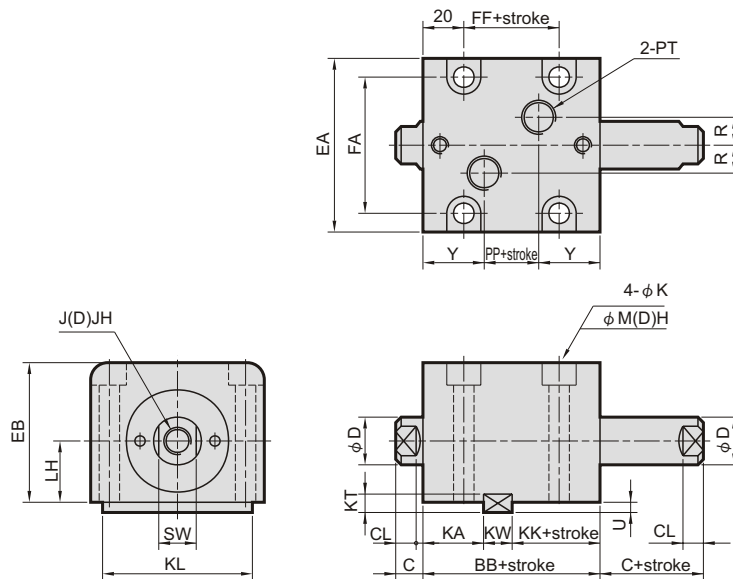
Dimensional table

Code Tube I.D.	A	AL	B	BB	C	CL	D	E	F	H	J	J1	K	M	P	PP	PT	R	SW	X	Y
φ 32	64	89	54	69	10	7	20	62	47	6.5	M12×1.75	15	6.6	11	14	13	PT 1/4	10	17	12	28
φ 40	65	90	55	70	10	7	25	70	52	9	M16×2.0	20	9	14	15	14	PT 1/4	10	22	12	28
φ 50	71	106	60	75	11	8	30	80	58	11	M20×2.5	25	11	18	18	16	PT 1/4	10	27	12.5	29.5
φ 63	80	120	67	82	13	10	35	94	69	13	M27×3.0	35	14	20	20	20	PT 3/8	10	32	16	31
φ 80	95	140	78	93	17	14	45	114	86	15	M30×3.5	35	16	23	27	27	PT 3/8	15	41	18	33

MHCQ



MHCQ-D



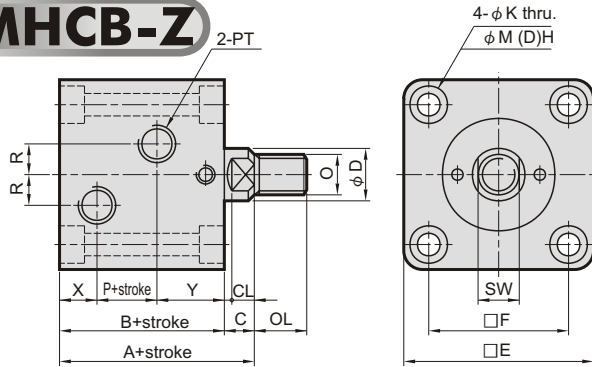
Dimensional table

The length "B"&"BB" of cylinder body is same of the stroke: (5,10)(15,20)(25,30)(35,40)(45,50)

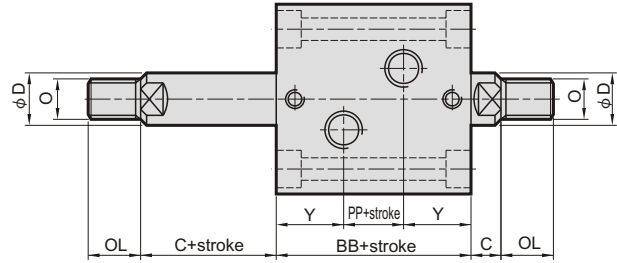
Code Tube I.D.	A	AL	B	BB	C	CL	D	EA	EB	FA	FB	FC	FF	H	J	JH	K
φ 32	64	89	54	69	10	7	20	70	56	56	24	10	32	9	M12×1.75	15	9
φ 40	65	90	55	70	10	7	25	80	64	62	23	12	32	11	M16×2.0	20	11
φ 50	71	106	60	75	11	8	30	94	74	74	27	13	35	13	M20×2.5	25	14
φ 63	80	120	67	82	13	10	35	114	89	90	32	15	42	15	M27×3.0	35	16

Bore	KA	KB	KK	KL	KW	KT	LH	M	P	PP	PT	R	SW	U	X	Y
φ 32	28	14	29	63	12	8	25	14	14	13	PT 1/4	10	17	4.5	12	28
φ 40	28	15	30	70	12	8	29	18	15	14	PT 1/4	10	22	4.5	12	28
φ 50	29	17	32	80	14	9	34	20	18	16	PT 1/4	10	27	5	12.5	29.5
φ 63	31	20	35	100	16	10	42	23	20	20	PT 3/8	10	32	5.5	16	31

MHCB-Z



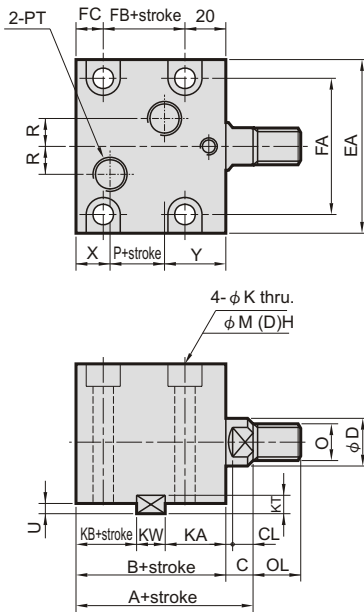
MHCB-DZ



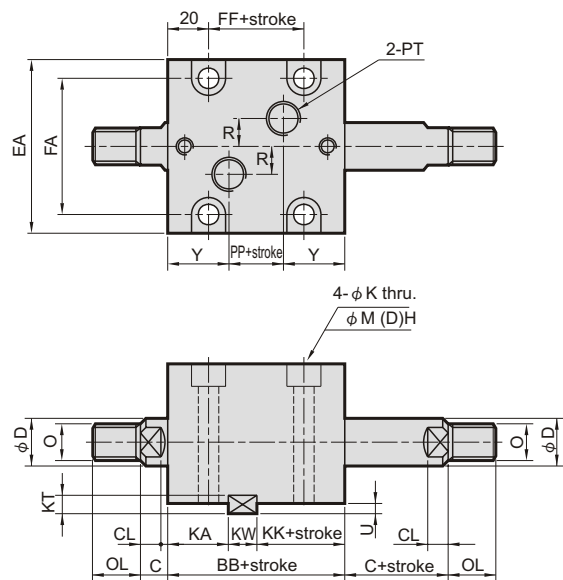
Dimensional table

Code Tube I.D.	A	AL	B	BB	C	CL	D	E	F	H	K	M	O	OL	P	PP	PT	R	SW	X	Y
φ 32	64	89	54	69	10	7	20	62	47	6.5	6.6	11	M16×1.5	25	14	13	PT 1/4	10	17	12	28
φ 40	65	90	55	70	10	7	25	70	52	9	9	14	M22×1.5	30	15	14	PT 1/4	10	22	12	28
φ 50	71	106	60	75	11	8	30	80	58	11	11	18	M26×1.5	35	18	16	PT 1/4	10	27	12.5	29.5
φ 63	80	120	67	82	13	10	35	94	69	13	14	20	M30×1.5	40	20	20	PT 3/8	10	32	16	31
φ 80	95	140	78	93	17	14	45	114	86	15	16	23	M39×1.5	45	27	27	PT 3/8	15	41	18	33

MHCQ-Z



MHCQ-DZ



Dimensional table

The length "B"&"BB" of cylinder body is same of the stroke: (5,10)(15,20)(25,30)(35,40)(45,50)

Code Tube I.D.	A	AL	B	BB	C	CL	D	EA	EB	FA	FB	FC	FF	H	K	KA	KB	KK
φ 32	64	89	54	69	10	7	20	70	56	56	24	10	32	9	9	28	14	29
φ 40	65	90	55	70	10	7	25	80	64	62	23	12	32	11	11	28	15	30
φ 50	71	106	60	75	11	8	30	94	74	74	27	13	35	13	14	29	17	32
φ 63	80	120	67	82	13	10	35	114	89	90	32	15	42	15	16	31	20	35

Code Tube I.D.	KL	KW	KT	LH	M	O	OL	P	PP	PT	R	SW	U	X	Y
φ 32	63	12	8	25	14	M16×1.5	25	14	13	PT 1/4	10	17	4.5	12	28
φ 40	70	12	8	29	18	M22×1.5	30	15	14	PT 1/4	10	22	4.5	12	28
φ 50	80	14	9	34	20	M26×1.5	35	18	16	PT 1/4	10	27	5	12.5	29.5
φ 63	100	16	10	42	23	M30×1.5	40	20	20	PT 3/8	10	32	5.5	16	31