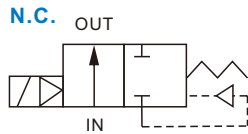


MPD / MPK series

2/2 WAY N.C. DIAPHRAGM TYPE SOLENOID VALVE



mindman



Specification

- IP65 waterproof coil.
- Continuous cycle, 100% ED.
- Ambient temperature : -5~+50°C (No freezing)

Power consumption

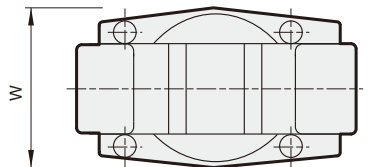
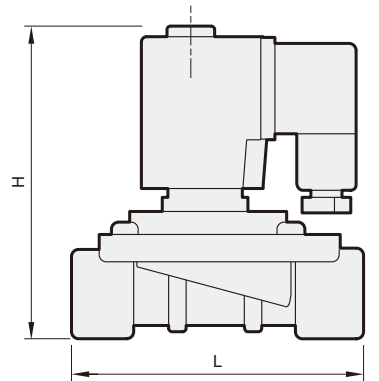
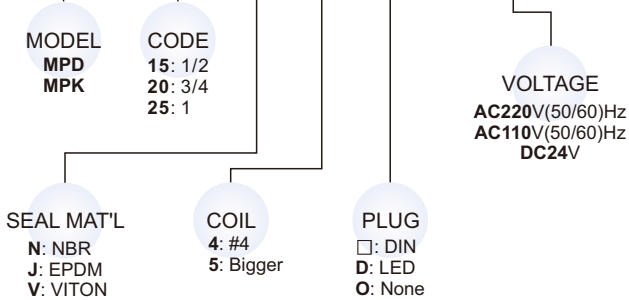
Coil power	4	5
AC(VA)	19.5	-
DC(W)	15.0	18.5

Dimensions

Model	MPD / MPK		
Code Dimension (mm)	15	20	25
L	71	90	90
H	114	124	124
W	56	76	76
N.W.(Kg) Coil 4	0.55	0.75	0.65
N.W.(Kg) Coil 5	1.1	1.3	1.2

Order example

MPD-15-J-5-D-AC110



Specification

Model MPD: PA (Nylon) body, N.C., O.P.D. 0.2 bar, for water, special fluids etc.										
Code (PIPE) G	Seal mat'l	Coil	Orifice mm	Temp. °C			Max. O.P.D. bar(0.2~ bar)			Cv
				Coil 4		Coil 5	Coil 4		Coil 5	
				N	J	V	AC	DC	DC	
15(1/2)	N · J · V	4	18	4			7	1.5	4	4
20(3/4)		·	28	}			7	1.0	3	9.8
25(1)		5		60						

Model MPK: PA (Nylon) body, N.C., O.P.D. 0 bar, for water, special fluids etc.										
Code (PIPE) G	Seal mat'l	Coil	Orifice mm	Temp. °C			Max. O.P.D. bar(0~ bar)			Cv
				Coil 4		Coil 5	Coil 4		Coil 5	
				N	J	V	AC	DC	DC	
15(1/2)	N · J · V	4	18	4			7	0.5	2.5	4
20(3/4)		·	28	}			7	-		9.8
25(1)		5		60						