

MSAR series

STOPPER CYLINDER

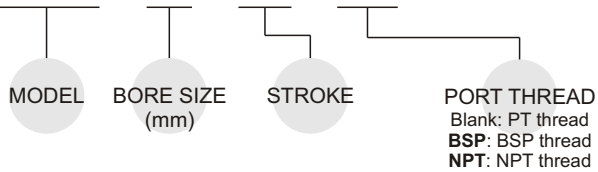


Specification:

Model	MSAR	
Standard type	φ 32-30	1350 g
	φ 50-30	2150 g
	φ 80-30	9000 g
Acting type	Single acting (Spring extended)	
	Stopper with roller	
Medium	Air	
Operating pressure range	2-9.9kgf/cm ²	
Proof pressure	15 kgf/cm ²	
Ambient temperature	- 5~ + 60°C (No freezing)	
Lubrication	Not required	
Cushion	With rubber cushion pad	
Magnet	Without magnet	

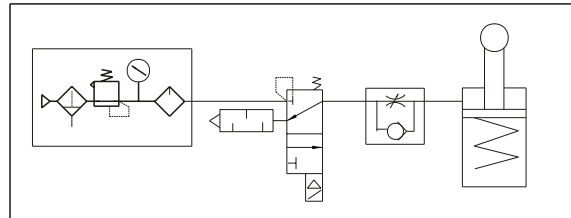
Order example:

MSAR – 32 – 30 – BSP

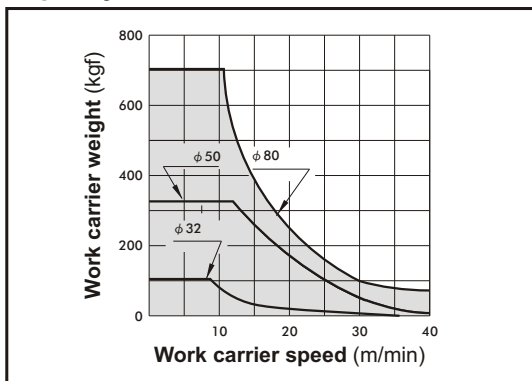


Piping diagram:

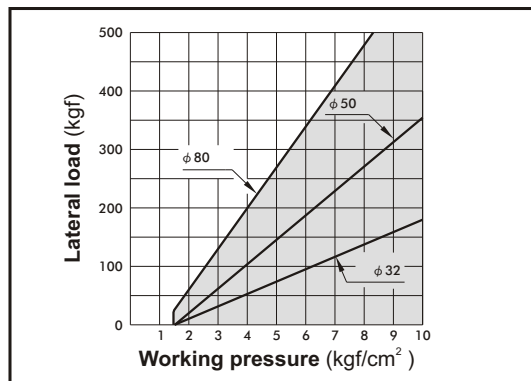
Single acting



MSAR Capacity



MSAR Normal lateral load

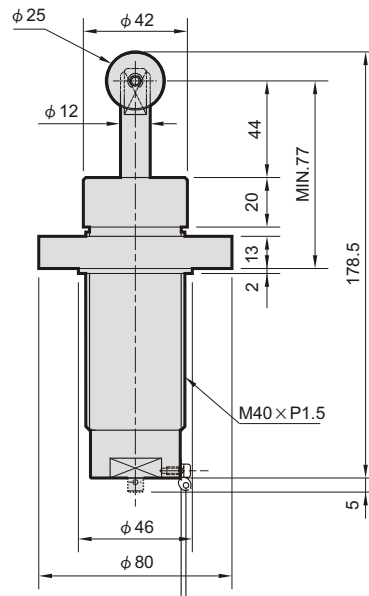
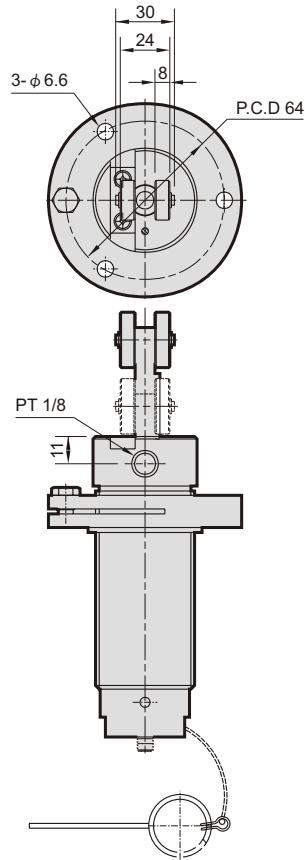


MSAR Dimensions $\phi 32\sim\phi 80$

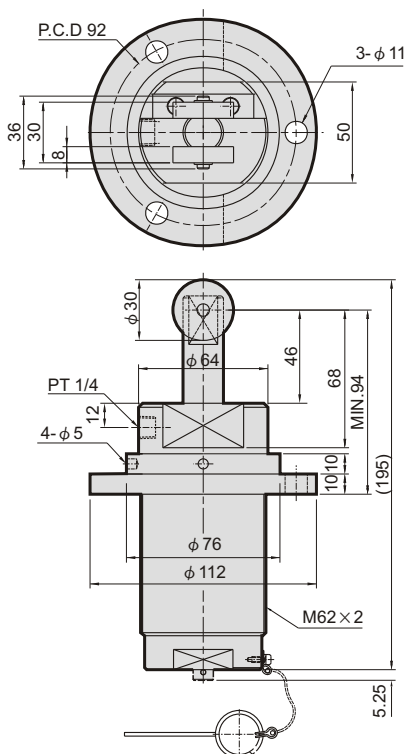
STOPPER CYLINDER



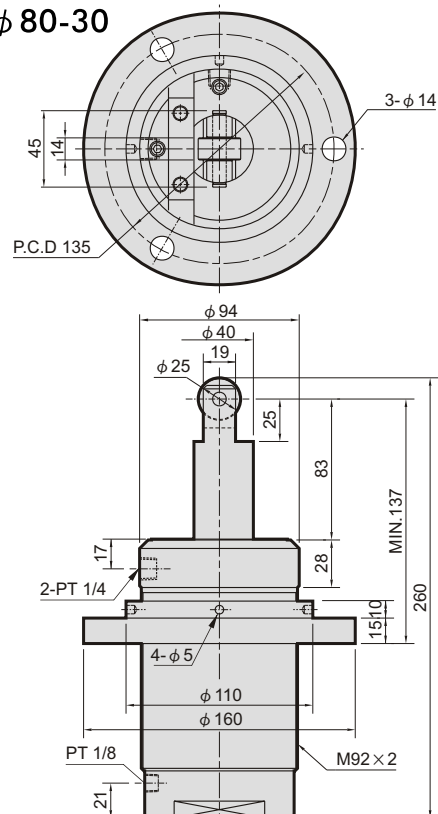
MSAR $\phi 32\sim 30$



MSAR $\phi 50\sim 30$



MSAR $\phi 80\sim 30$



※Roller is made of stainless steel.