

# MSC200/300 series

## FLOW CONTROL VALVE



### Specification:

| Model                    | MSC200                                 |        | MSC300 |        |
|--------------------------|--|--------|--------|--------|
| Bore No.                 | 6A                                     | 8A     | 10A    | 15A    |
| Port size                | PT 1/8                                 | PT 1/4 | PT 3/8 | PT 1/2 |
| Medium                   | Air                                    |        |        |        |
| Operating pressure range | 0~9.9 kgf/cm <sup>2</sup> (0~0.99 MPa) |        |        |        |
| Proof pressure           | 15 kgf/cm <sup>2</sup> (1.5 MPa)       |        |        |        |
| Ambient temperature      | -5~+60°C (No freezing)                 |        |        |        |
| Flow(ℓ/min)              | 800                                    |        | 1650   |        |
| Weight                   | 72 g                                   |        | 130 g  |        |

### Order example:

**MSC200 — 6A — BSP**

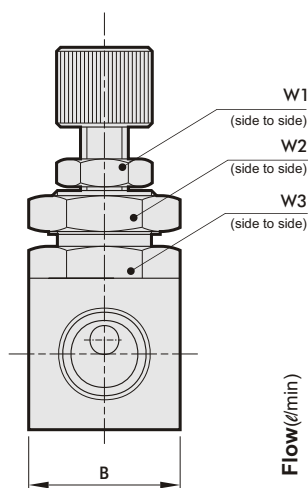
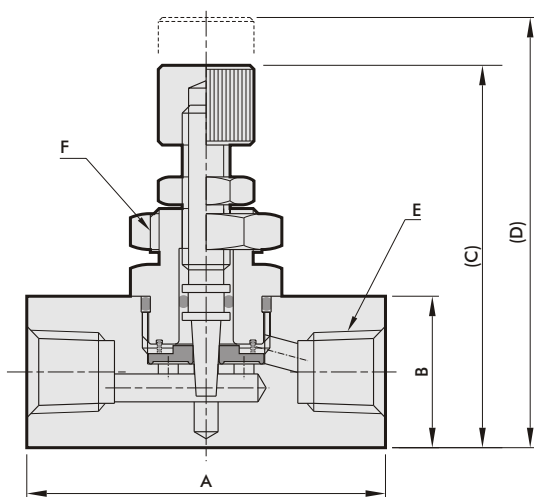
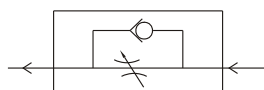
MODEL

BORE SIZE

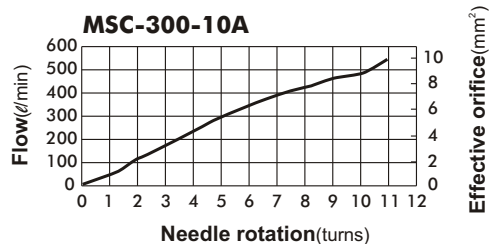
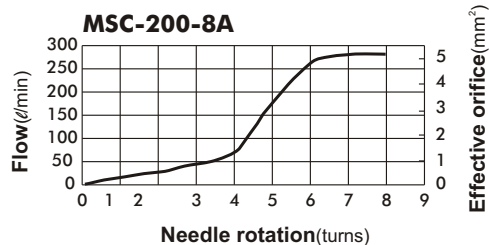
PORT THREAD

Blank: PT thread  
BSP: BSP thread  
NPT: NPT thread

### Symbol:



### Flow feature :



| Code Model | A   | B  | C  | D  | E  | F      | W1       | W2 | W3 |    |
|------------|-----|----|----|----|----|--------|----------|----|----|----|
| MSC200     | 6A  | 45 | 19 | 46 | 53 | PT 1/8 | M14×1.25 | 11 | 17 | 17 |
|            | 8A  | 45 | 19 | 46 | 53 | PT 1/4 | M14×1.25 | 11 | 17 | 17 |
| MSC300     | 10A | 55 | 25 | 52 | 59 | PT 3/8 | M18×1.0  | 11 | 17 | 23 |
|            | 15A | 55 | 25 | 52 | 59 | PT 1/2 | M18×1.0  | 11 | 17 | 23 |