

MSC500/600 series

FLOW CONTROL VALVE



Specification:

Model	MSC500		MSC600		
Bore No.	15A	20A	20A	25A	
Port size	PT 1/2	PT 3/4	PT 3/4	PT 1	
Medium	Air				
Operating pressure range	0~9.9 kgf/cm ² (0~0.99 MPa)				
Proof pressure	15 kgf/cm ² (1.5 MPa)				
Effective orifice (mm ²)	Free flow	116	154	164	230
	Controlled flow	106	123	151	258
Ambient temperature	-5~+60°C (No freezing)				
Weight	406 g	400 g	767 g	721 g	

※Supply pressure: 5 kgf/cm², Temperature: 20°C

Order example:

MSC500 – 20A – BSP

MODEL

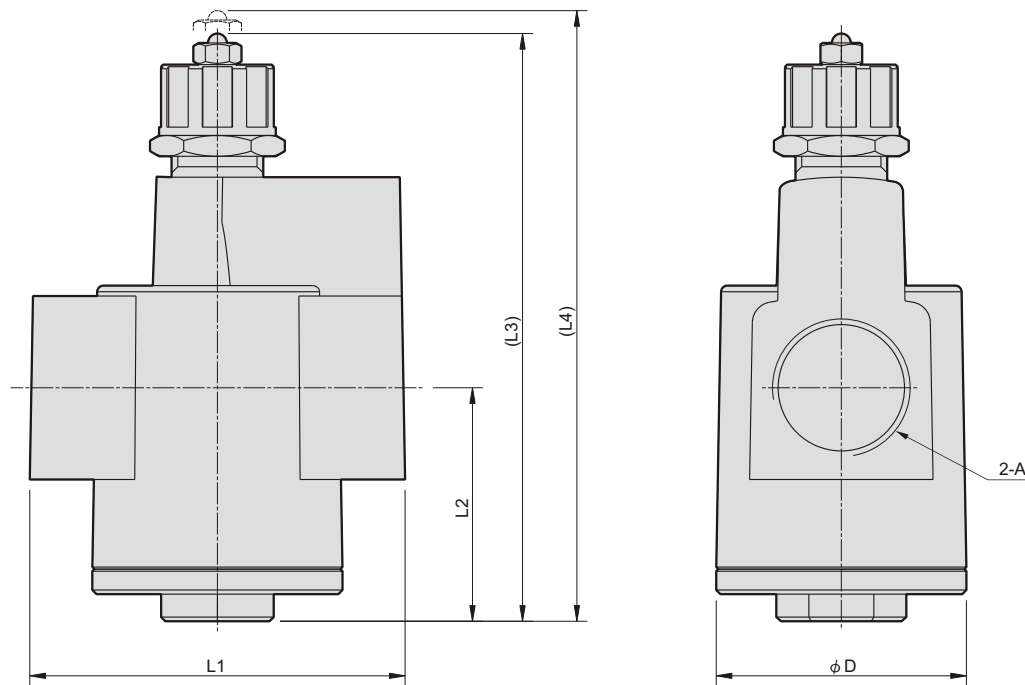
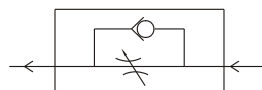
BORE SIZE

15A: PT 1/2
20A: PT 3/4
25A: PT 1

PORT THREAD

Blank: PT thread
BSP: BSP thread
NPT: NPT thread

Symbol:



Code Model	A	D	L1	L2	L3	L4
MSC500	15A PT 1/2	48	74	43	105	115
	20A PT 3/4	48	74	43	105	115
MSC600	20A PT 3/4	60	90	56	148	158
	25A PT 1	60	90	56	148	158