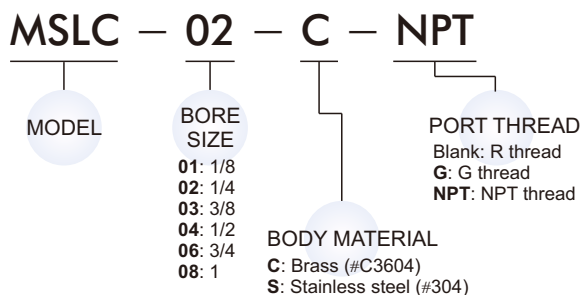


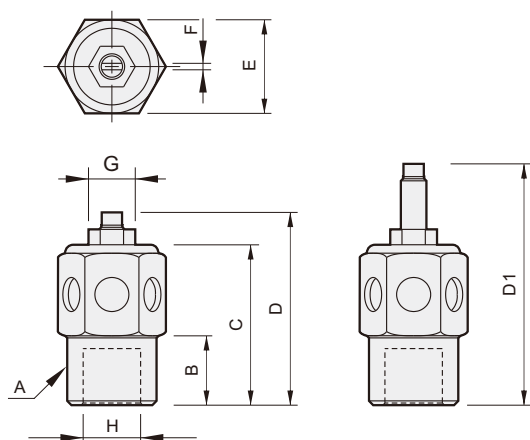
### Specification

Model	MSLC					
Bore No.	<b>01</b>	<b>02</b>	<b>03</b>	<b>04</b>	<b>06</b>	<b>08</b>
Port size	1/8	1/4	3/8	1/2	3/4	1
Medium	Air					
Operating pressure range	0~2.1 MPa					
Proof pressure	2.1 MPa					
Ambient temperature	+2°C ~ +140°C					
Weight (g)	18	30	44	72	119	188

### Order example



### Dimensions



### R thread

Code Model	A	B ±0.20	C ±0.50	D ±0.50	D1 ±0.50	E ±0.20	F ±0.20	G	H ±0.20
<b>MSLC-01</b>	R1/8	6.9	21.0	28.3	37.2	12	1.2	9	3.5
<b>MSLC-02</b>	R1/4	10.5	28.5	37.0	48.0	14	1.2	9	5.0
<b>MSLC-03</b>	R3/8	12.5	30.0	38.4	50.0	17	1.2	11	7.0
<b>MSLC-04</b>	R1/2	16.0	37.7	45.3	56.7	22	1.2	11	9.5
<b>MSLC-06</b>	R3/4	16.9	42.5	50.4	67.3	27	1.2	11	13.0
<b>MSLC-08</b>	R1	20.3	46.6	54.5	70.2	34	1.2	11	17.5

### G thread

Code Model	A	B ±0.20	C ±0.20	D ±0.50	D1 ±0.50	E ±0.20 S.S #304	F ±0.20 Brass	G	H ±0.20
<b>MSLC-01</b>	G1/8	5.3	21.0	28.3	37.2	12	12	1.5	9
<b>MSLC-02</b>	G1/4	8.6	28.5	37.0	48.0	17	16	1.5	9
<b>MSLC-03</b>	G3/8	10.6	30.0	38.4	50.0	19	18	1.5	11
<b>MSLC-04</b>	G1/2	14.1	37.7	45.3	56.7	24	24	1.5	11
<b>MSLC-06</b>	G3/4	14.1	42.5	50.4	67.3	30	30	1.5	11
<b>MSLC-08</b>	G1	17.6	46.6	54.5	70.2	36	36	1.5	11

### NPT thread

Code Model	A	B ±0.20	C ±0.50	D ±0.50	D1 ±0.50	E ±0.20	F ±0.20	G	H ±0.20
<b>MSLC-01</b>	NPT1/8	6.9	21.0	28.3	37.2	12	1.2	9	5.2
<b>MSLC-02</b>	NPT1/4	10.5	28.5	37.0	48.0	14	1.2	9	5.2
<b>MSLC-03</b>	NPT3/8	12.5	30.0	38.4	50.0	17	1.2	11	9.4
<b>MSLC-04</b>	NPT1/2	16.0	37.7	45.3	56.7	22	1.2	11	13.4
<b>MSLC-06</b>	NPT3/4	16.9	42.5	50.4	67.3	27	1.2	11	17.5
<b>MSLC-08</b>	NPT1	20.3	46.6	54.5	70.2	34	1.2	11	22.6