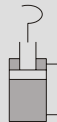




MTHS Double acting - Single side clamping arm

MTHD Double acting - Double sides clamping arm



Features:

- These swing clamps are used when it is required to keep the fixture workpiece area free of straps and clamping components for unrestricted workpiece loading and unloading.
- This hydraulic clamping element is a pull type cylinder, There are five standard sizes, and for each size two versions of standard clamping arms, mounting of these clamping arms at any angle within 360.

Note :

- Please don't exceed 1.5 times of the original length, if it is necessary to increase the length of the clamping arm.
- Suggested to install a flow control valve protect cylinder barrel and internal components against fretting wear.

Specification

Model	MTHS, MTHD
Tube I.D. (mm)	25, 32, 40, 50, 63
Acting type	Double acting
Power fluid	Filtered oil
Max. Pressure (MPa)	10 (100 kgf/cm ²)
The range of pressure (MPa)	0.5~7 (5~70 kgf/cm ²)
Material of cylinder barrel	Carbon steel
Standard angle of rotation	90° ±2° (Angles of 0° , 45° and 60° are optional)
Rotating direction	Clockwise or counter clockwise

Order example:

MTHS — **25** — **CW** — **90**

MODEL



TUBE I.D.

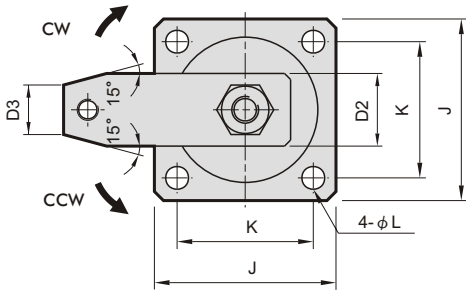
ROTATING ANGLE

ROTATING DIRECTION

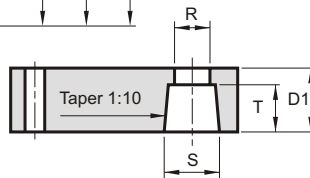
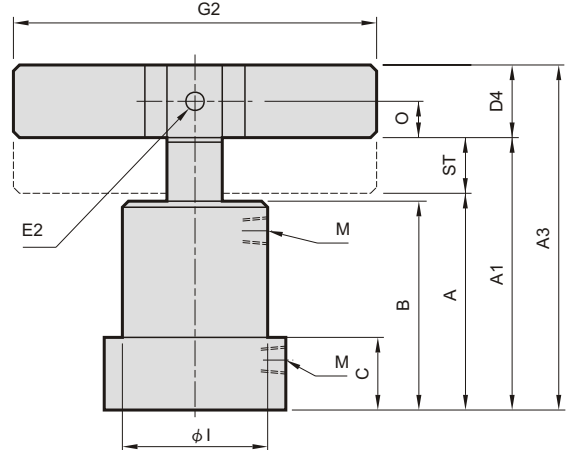
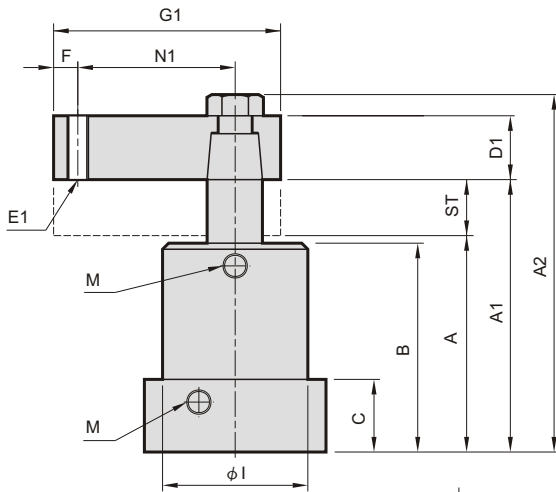
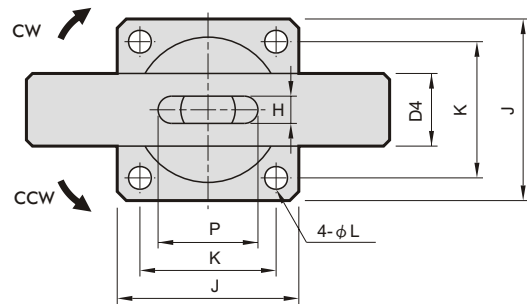
CCW: Counter clockwise
CW: Clockwise



MTHS



MTHD



Property table

Model		Bore (mm)	Piston rod (mm)	Swing stroke (mm)	Clamping stroke (mm)	Pressure area push / pull (mm ²)	Clamping force (3.5MPa)
MTHS-25	MTHD-25	φ 25	φ 18	11	11	491 / 237	830
MTHS-32	MTHD-32	φ 32	φ 20	13	13	804 / 490	1720
MTHS-40	MTHD-40	φ 40	φ 22.4	13	13	1257 / 863	3020
MTHS-50	MTHD-50	φ 50	φ 28	15	15	1963 / 1347	4710
MTHS-63	MTHD-63	φ 63	φ 35	15	15	3117 / 2155	7540

Dimensional table

Code Model		ST	A	A1	A2	A3	B	C	D1	D2	D3	D4	E1	E2	F
MTHS-25	MTHD-25	22	79	101	124	120	77	27	15	27	15	□19	M10×1.5	φ 8	10
MTHS-32	MTHD-32	26	89	115	140	137.2	85	30	17	31	17	□22.2	M10×1.5	φ 8	10
MTHS-40	MTHD-40	26	94	120	148	142.2	90	30	18	31	17	□22.2	M10×1.5	φ 10	10
MTHS-50	MTHD-50	30	104	134	166	159.2	100	34	20	37	19	□25.4	M12×1.75	φ 12	12
MTHS-63	MTHD-63	30	109	139	175	170.8	105	34	23	48	24	□31.8	M16×2.0	φ 15	15

Code Model		G1	G2	H	I	J	K	L	M	N1	O	P	R	S	T
MTHS-25	MTHD-25	74	140	9	φ 46	52	40	φ 6.8	PT 1/8	50	9.5	25	φ 15	φ 18	13
MTHS-32	MTHD-32	81	160	10	φ 50	56	44	φ 6.8	PT 1/8	55	11.1	29	φ 17	φ 20	14
MTHS-40	MTHD-40	86	160	10	φ 54	63	48	φ 9	PT 1/8	60	11.1	31	φ 19	φ 22.4	15
MTHS-50	MTHD-50	96	180	12	φ 66	72	57	φ 9	PT 1/4	65	12.7	38	φ 21	φ 28	16
MTHS-63	MTHD-63	114	200	15	φ 80	88	70	φ 11	PT 1/4	75	15.9	48	φ 27	φ 35	18