

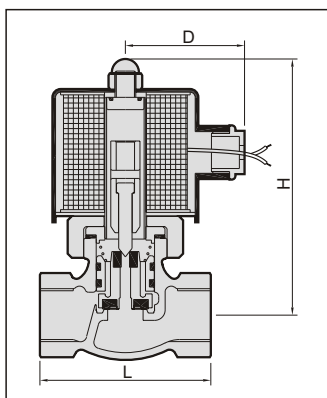
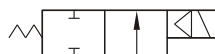
# MUAW series Normally closed



## SOLENOID VALVE

2-WAY normally closed solenoid valve.

Available fluid: Water, air.



### Specification :

- MUAW series is multiplex-drive, piston guide, conductive normal close.
- Other voltage of AC/DC available when required.
- In case the pressure range is more than 15 kgf/cm<sup>2</sup> (whit in 20 kgf/cm<sup>2</sup>), please state the type of fluid with your order.
- AC Voltage tolerance: ±10%.  
DC Voltage tolerance: ±1%.

### Material:

Parts name	Material
Body	Cast bronze
Coil	Special copper wire (H)
Piston	Stainless steel
Tube	Stainless steel
Spring	Stainless steel
Core	Stainless steel
Plug	PTFE+15%GF
Bonne/Nut	NBR

### Order example:

**MUAW – 25 – AC110 – BSP**

MODEL

PIPE SIZE

VOLTAGE

PORT THREAD

- 15 : 1/2"
- 20 : 3/4"
- 25 : 1"
- 35 : 1 1/4"
- 40 : 1 1/2"
- 50 : 2"

- AC220V(50/60)Hz
- AC110V(50/60)Hz
- DC24V

- Blank: PT thread
- BSP: BSP thread
- NPT: NPT thread

### Not for fluid of:

- Liquid when heat, solid when cool.
- Corrosive fluid.
- Viscosity over 20 cst.
- Temperature over 80°C.

### Caution:

- Pipes must be washed neat and clean before fitted.
- A Y-STRAINER has to be installed in the front of solenoid valve, that is best for long life.

Model	DIN	Pipe size	Cv	Orifice (mm)	Fluid temp	Max. operating pressure diff. kgf/cm <sup>2</sup>		Dimensions(mm)			Weight (kg)
						Water	Air	L	H	D	
MUAW-15		PT 1/2"	4.0	17	-5~+80°C	2~10	2~15	82	120	58	1.7
MUAW-20		PT 3/4"	6.0	17	-5~+80°C	2~10	2~15	82	123	58	1.7
MUAW-25		PT 1"	12	22	-5~+80°C	2~10	2~15	91	130	58	2.0
MUAW-35		PT 1 1/4"	18	30	-5~+80°C	2~10	2~15	110	141	58	3.1
MUAW-40		PT 1 1/2"	22	32	-5~+80°C	2~10	2~15	110	144	58	3.3
MUAW-50		PT 2"	48	50	-5~+80°C	2~10	2~15	163	173	58	7.2

※ The pressure ratings indicated above are based on AC110V/220V. The maximum pressure may vary in case on DC/AC24V.