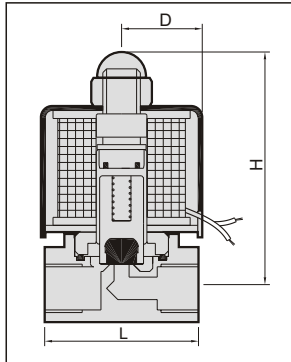
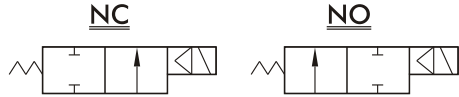


# MUD / MUS series Normally closed / Normally open



## SOLENOID VALVE

2-WAY normally closed / normally open solenoid valve.  
Available fluid: Water, air, steam, light oil, gas & vacuum.



### Specification :

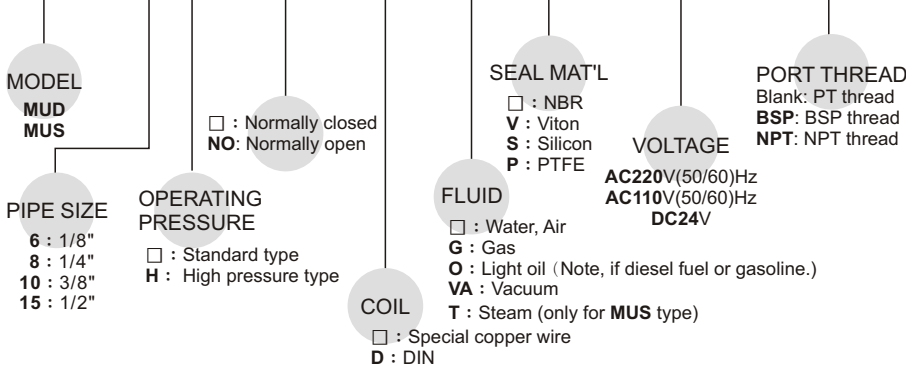
- Small size & easy assembly.
- Other voltage of AC/DC available when required.
- Installation: Mountable in any position without affecting operation.
- Viton(130°C), Silicon(130°C), PTFE (185°C).
- AC Voltage tolerance:  $\pm 10\%$ .  
DC Voltage tolerance:  $\pm 1\%$ .

### Material:

Parts name	Material
Body	Forge brass
Coil	Special copper wire (H)
Tube	Stainless steel
Spring	Stainless steel
Fixed steel	Special st. steel
Plug	NBR, Viton, Silicon, PTFE
Disc	NBR

### Order example:

**MUD - 8 H - NO - □ - G - □ - AC110 - BSP**



### Caution:

- Pipes must be washed neat and clean before fitted.
- A Y-STRAINER has to be installed in the front of solenoid valve, that is best for long life.

### Not for fluid of:

- Liquid when heat, solid when cool.
- Corrosive fluid.
- Viscosity over 50 cst.

Model	DIN	Pipe size	Cv	Orifice (mm)	Fluid temp	Max. operating pressure diff. kgf/cm <sup>2</sup>						L (mm)	H (mm)	D (mm)	Weight (kg)	
						Water	Air	Steam	Light oil	Gas	Vacuum					
NC	MUD-6		PT 1/8"	0.23	2.5	-5~+80°C	0~7	0~7	—	—	—	0~10 <sup>-3</sup> Torr	41	63	21	0.3
	MUD-8		PT 1/4"	0.23	2.5	-5~+80°C	0~7	0~7	—	—	—	0~10 <sup>-3</sup> Torr	41	63	21	0.3
	MUD-8		PT 1/4"	0.58	4	-5~+80°C	0~3	0~3	—	—	—	0~10 <sup>-3</sup> Torr	41	63	21	0.3
	MUD-8		PT 1/4"	0.79	6	-5~+80°C	0~1	0~1	—	—	—	0~10 <sup>-3</sup> Torr	41	63	21	0.3
	MUD-8H		PT 1/4"	0.18	1.2	-5~+130°C	0~20	0~20	—	—	—	0~10 <sup>-3</sup> Torr	41	63	21	0.3
	MUS-8		PT 1/4"	0.23	2.5	-5~+185°C	—	—	0~7	—	—	—	41	63	21	0.3
	MUD-10	●	PT 3/8"	0.58	4	-5~+80°C	0~10	0~10	—	—	—	0~10 <sup>-3</sup> Torr	53	75	48	0.6
	MUD-10		PT 1/8"	0.79	8	-5~+80°C	0~3	0~5	—	—	—	0~10 <sup>-3</sup> Torr	53	90	48	0.8
	MUD-15		PT 1/2"	0.58	8	-5~+80°C	0~3	0~5	—	—	—	0~10 <sup>-3</sup> Torr	53	90	48	0.8
	MUD-10H	●	PT 3/8"	0.45	2	-5~+130°C	0~20	0~20	—	—	—	0~10 <sup>-3</sup> Torr	53	75	48	0.6
MUS-10	●	PT 3/8"	0.58	4	-5~+185°C	—	—	0~10	—	—	—	53	75	48	0.6	
NO	MUD-6-NO		PT 1/8"	0.23	2.5	-5~+80°C	0~7	0~7	—	0~7	0~7	0~10 <sup>-3</sup> Torr	41	81	21	0.4
	MUD-8-NO		PT 1/4"	0.23	2.5	-5~+80°C	0~7	0~7	—	0~7	0~7	0~10 <sup>-3</sup> Torr	41	81	21	0.4
	MUD-8-NO		PT 1/4"	0.58	4	-5~+80°C	0~3	0~3	—	0~7	0~7	0~10 <sup>-3</sup> Torr	41	81	21	0.4
	MUD-8-NO		PT 1/4"	0.79	6	-5~+80°C	0~1	0~1	—	0~7	0~7	0~10 <sup>-3</sup> Torr	41	81	21	0.4
	MUD-8H-NO		PT 1/4"	0.18	1.2	-5~+130°C	0~20	0~20	—	0~20	0~20	0~10 <sup>-3</sup> Torr	41	81	21	0.4
	MUD-10-NO		PT 3/8"	0.58	4	-5~+80°C	0~10	0~10	—	0~7	0~7	0~10 <sup>-3</sup> Torr	54	106	48	0.7

※ The pressure ratings indicated above are based on AC110V/220V. The maximum pressure may vary in case on DC/AC24V.