

# MUSC series

## 2/2 WAY DIRECT ACTING N.C. SOLENOID VALVE



### Order example:

**MUSC-06-2-N-5-D-AC**

MODEL

CODE

03 : 1/8  
06 : 1/4  
08 : 1/4  
10 : 3/8

FIG.

1, 2, 3, 4, 5,  
6, 7, 8, 9

SEAL MAT'L

N : NBR  
J : EPDM  
V : Viton  
T : Teflon  
R : RUBY  
Z : FFKM

PLUG

□: DIN  
D: LED  
G: 1/2"NPTF  
Y: 2Wires

COIL

3, 2E\*, 4, 3E\*  
\*E:Explosion-Proof

VOLTAGE

### Specification :

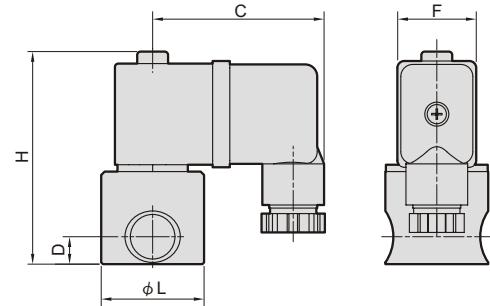
- IP65 waterproof coil.
- Continuous cycle, 100% ED.
- Ex coil is EExm II T4 or EEx ia II C T6 PTB approval.

### Power consumption:

Coil power	2	3	2E	4	5	3E
AC(VA)	6.9	8.0	4.8	15.4	23.0	9.2
DC(W)	6.2	6.8	5.2	15.0	18.5	10.0

### Dimensions:

Model	MUSC			
Code	03	06	08	10
Dimension (mm)				
A	18.0	23.0	31.0	31.0
B	M4	M4	M5	M5
C	50.0	50.0	53.0	53.0
D	7.0	8.0	11.5	11.5
F	22.0	22.0	29.0	29.0
H	56.5	62.0	85.0	85.0
L	25.0	30.0	40.0	40.0
N.W.(Kg)	0.23	0.28	0.52	0.60

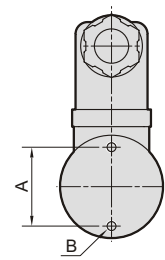


### Specification:

Model **MUSC** : 303 S.S. Bar body, for water, air, gas, oil, vacuum.

Code (PIPE) G	Fig NO.	Mat'l	Coil	Orifice mm	Temp. °C						Max. O.P.D. bar (Min. 0 bar)						Cv	VAC. torr		
					Coil 2			Coil 3/2E			Coil 2		Coil 3		Coil 2E					
					N	JV	T	N	JV	T	AC	DC	AC	DC	AC	DC				
03(1/8) 06(1/4)	1	N, J, V, T	2, 3, 2E	1.0																
	2			1.2																
	3			1.6	-5	-10	-5	-10	-10	24	16	35	30	20	0.03	10 <sup>-3</sup>				
	4			2.0	}	}	}	}	}	20	14	30	24	16	0.05					
	5			2.4	80	90	80	120	155	16	12	25	16	14	0.09					
	6			3.0																
	7			5.0																

Code (PIPE) G	Fig NO.	Mat'l	Coil	Orifice mm	Temp. °C						Max. O.P.D. bar (Min. 0 bar)						Cv	VAC. torr		
					Coil 2			Coil 3/2E			Coil 2		Coil 3		Coil 2E					
					N	JV	TRZ	N	JV	TRZ	AC	DC	AC	DC	AC	DC				
08(1/4) 10(3/8)	1	N, J, V, T, R, Z	4, 5, 3E	1.6																
	2			2.0																
	3			2.5																
	4			3.0	-5	-10	-10	-5	-10	-10	30	20	40	30	20	14	0.10	10 <sup>-4</sup>		
	5			4.0	}	}	}	}	}	}	20	14	30	20	14	10	0.15			
	6			4.0	80	150	185	90	150	185	14	10	20	14	10	7	0.20			
	7			5.0																
	8			6.0																
	9			7.5																
9	10.0																			



\* The Max. Orifice for seal T = 4.0mm, R=3.0mm, Z=5.0mm.

\* Seal T and R will have slight leakage, so it will not be suitable for vacuum. Evaporable and flammable danger fluids.