

MUST series

3/2 WAY UNIVERSAL SOLENOID VALVE



Order example:

MUST-06-2-N-C-5-D-AC

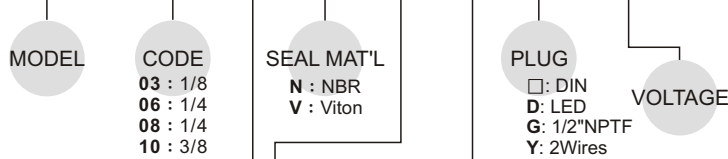


FIG. 1, 2, 3, 4, 5, 6, 7

EXHAUST ACCESSORY

U	Without	M Size
F	PS female	19.0
C	With cap*	9.5
P	1/8" PS Male	12.0

COIL
2, 3, 2E*, 4, 5, 3E*
*E:Explosion- Proof

* C means with dust-proof and silencer cap.

Specification :

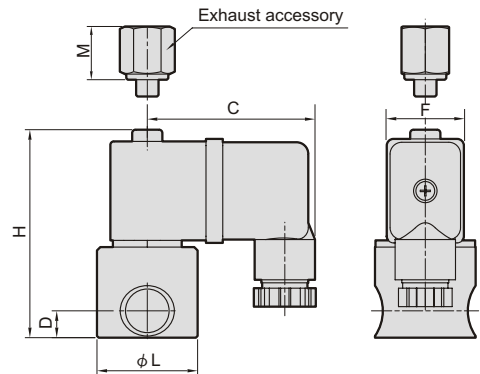
- IP65 waterproof coil.
- Continuous cycle, 100% ED.
- Ex coil is EExm II T4 or EEx ia II C T6 PTB approval.

Power consumption:

Coil power	2	3	2E	4	5	3E
AC(VA)	6.9	8.0	4.8	15.4	23.0	9.2
DC(W)	6.2	6.8	5.2	15.0	18.5	10.0

Dimensions:

Model	MUST			
Code Dimension (mm)	03	06	08	10
A	18.0	23.0	31.0	31.0
B	M4	M4	M5	M5
C	50.0	50.0	53.0	53.0
D	7.0	8.0	11.5	11.5
F	22.0	22.0	29.0	29.0
H	56.5	62.0	85.0	85.0
L	25.0	30.0	40.0	40.0
N.W.(Kg)	0.23	0.28	0.52	0.60

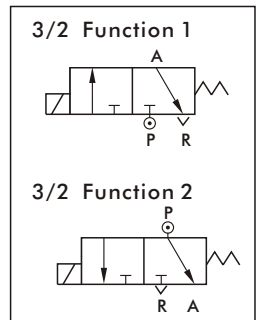
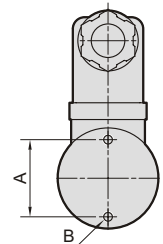


Specification:

Model MUST : 303 S.S. Bar body, 3/2 way N.C., N.O., for water, air, gas, light oil, vacuum (10⁻¹ torr Max.).

Code (PIPE) G	Fig NO.	Mat'l	Coil	Orifice(mm)		Temp. °C				Max. O.P.D. bar (Min. 0 bar)						Cv
				Body	Top	Coil 2		Coil 3/2E		Coil 2		Coil 3		Coil 2E		
						N	V	N	V	1	2	1	2	1	2	
03(1/8) 06(1/4)	1	N V	2 3 2E	0.8	1.0	-5 80	-10 90	-5 80	-10 120	10	14	10	0.02 0.03 0.05 0.09 0.14 0.18 0.23			
	2			1.0	1.0					7	10	10		13	7	10
	3			1.2	1.2					6	7	7		6		
	4			1.6	1.2					4	7	5		10	4	7
	5			2.0	1.2					3	4	4		10	3	7
	6			2.4	1.5					2	5	3		7	2	5
	7			3.0	1.5					1	5	2		7	1	5

Code (PIPE) G	Fig NO.	Mat'l	Coil	Orifice(mm)		Temp. °C				Max. O.P.D. bar (Min. 0 bar)						Cv
				Body	Top	Coil 4		Coil 5/3E		Coil 4		Coil 5		Coil 3E		
						N	V	N	V	1	2	1	2	1	2	
08(1/4) 10(3/8)	1	N V	4 5 3E	1.3	1.6	-5 80	-10 145	-5 80	-10 145	10	16	10	0.07 0.10 0.15 0.20 0.31 0.54 0.80			
	2			1.6	1.6					7	13	13		16	7	13
	3			2.0	1.6					5	10	10		5	5	13
	4			2.5	2.0					4	10	7		13	4	10
	5			3.0	2.0					3	10	5		13	3	10
	6			4.0	2.5					2	7	3		10	2	7
	7			5.0	3.0					1	5	2		7	1	5



※O. P.D. of function1, 2 refer to specification table.