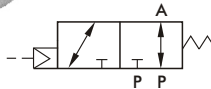


# MUT series

## 3/2 WAY UNIVERSAL SOLENOID VALVE



### Order example:

**MUT - 10 - 2 - N - 3 - □ - AC**

MODEL

CODE

03 : 1/8  
06 : 1/4  
08 : 1/4  
10 : 3/8

Fig

1, 2, 3, 4, 5

SEAL MAT'L

N : NBR  
V : Viton

COIL

3, 2E\*, 4, 3E\*  
\*E:Explosion-Proof

VOLTAGE

PLUG

□ : DIN  
D : LED  
G : 1/2"NPTF

### Specification :

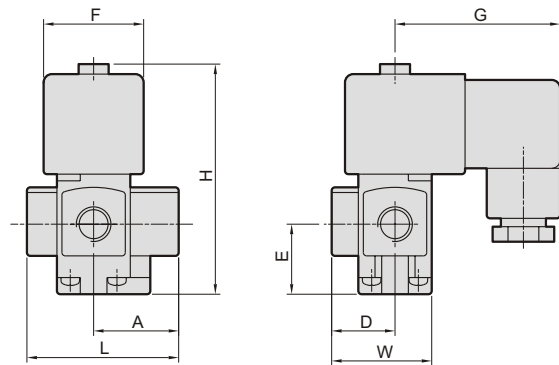
- IP65 waterproof coil.
- Continuous cycle, 100% ED.
- Ex coil is EExm II T4 or EEx ia II C T6 PTB approval.

### Power consumption:

Coil power	3	2E	4	3E
AC(VA)	8.0	4.8	15.4	9.2
DC(W)	6.8	5.2	15.0	10.0

### Dimensions:

Model	MUT			
Code Dimension (mm)	03	06	08	10
A	25.5		28.5	
D	19.0		22.5	
E	21.0		23.0	
F	30.0		30.0	
G	50.0		53.0	
H	69.0		87.0	
L	45.5		51.0	
W	30.5		39.0	
N.W.(Kg)	0.34		0.59	



### Specification:

Model MUT : Forged brass body, 3/2 way N.C., N.O., for water, air, gas, light oil, vacuum.

Code (PIPE) G	Fig NO.	Mat'l	Coil	Orifice mm	Mat'l Temp. °C		Max. O.P.D. bar (Min. 0 bar)	Cv	VAC. torr
					N	V			
03(1/8) 06(1/4)	1	N	3	0.8	-5~80	-10~145	Coil 3/2E	10	0.02
	2			1.0					
	3	1.2							
	4	1.5							
	5	1.8	2E	3					
08(1/4) 10(3/8)	1	N	4	1.3	-5~80	-10~145	Coil 4/3E	10	0.07
	2			1.6					
	3	2.0							
	4	2.4							
	5	3.0	3E	4					
08(1/4) 10(3/8)	1	N	4	1.3	-5~80	-10~145	Coil 4/3E	10	0.07
	2			1.6					
	3	2.0							
	4	2.4							
	5	3.0	3E	4					
08(1/4) 10(3/8)	1	N	4	1.3	-5~80	-10~145	Coil 4/3E	10	0.07
	2			1.6					
	3	2.0							
	4	2.4							
	5	3.0	3E	4					

