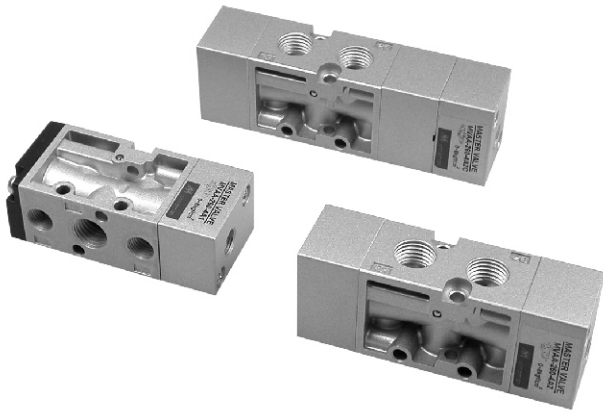


MVAA-260 series

MASTER VALVE



Specification:

Model	MVAA-260-4A1	MVAA-260-4A2, 4A2C.P.R	
Bore No.	8A		
Port size	PT 1/4		
No. of port	5		
Medium	Air		
Operating pressure range	0~8 kgf/cm ²		
Proof pressure	10 kgf/cm ²		
Effective orifice	18 mm ²		
Pilot pressure range	2~7 kgf/cm ²		
Ambient temperature	-5~+60°C (No freezing)		
Weight	153 g	163 g	219 g

Order example:

MVAA - 260 - 4A2C - BSP

MODEL

BODY WIDTH

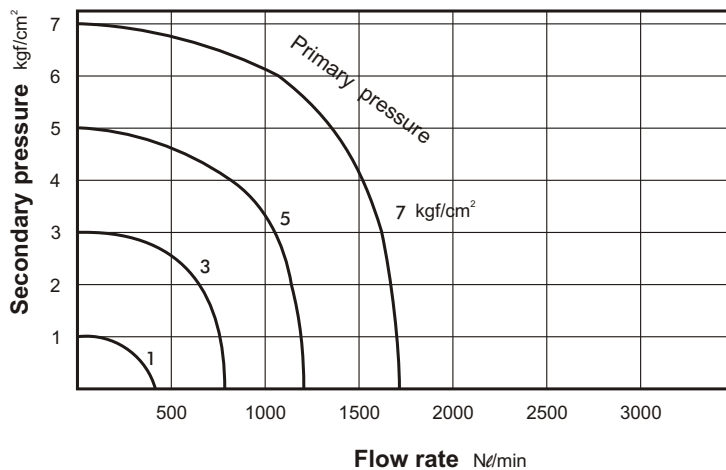
4: 4way

A1: Single Air Operate
A2: Double Air Operate

C: Closed center
P: Pressure center
R: Exhaust center
(Only for 4A2 type)

PORT THREAD
Blank: PT thread
BSP: BSP thread
NPT: NPT thread

Flow features:



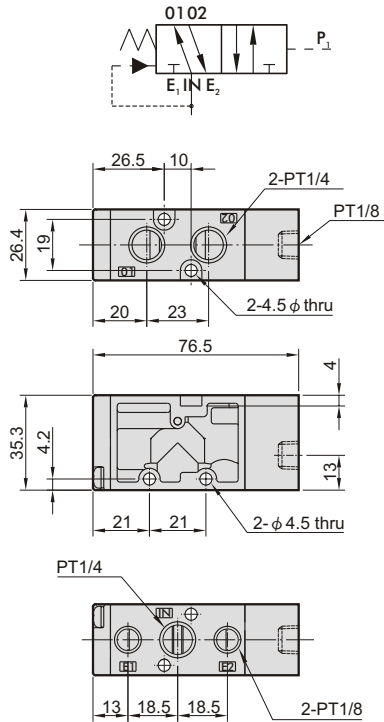
MVAA-260

MASTER VALVE

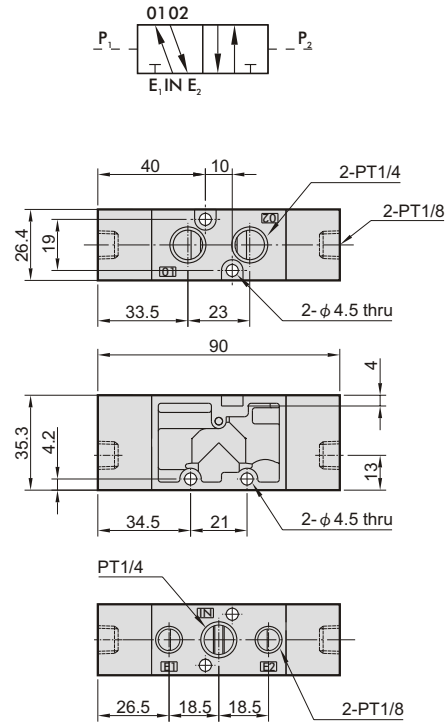


Dimensions:

MVAA-260-4A1



MVAA-260-4A2



MVAA-260-4A2C.P.R

MVAA-260-4A2C

MVAA-260-4A2P

MVAA-260-4A2R

