

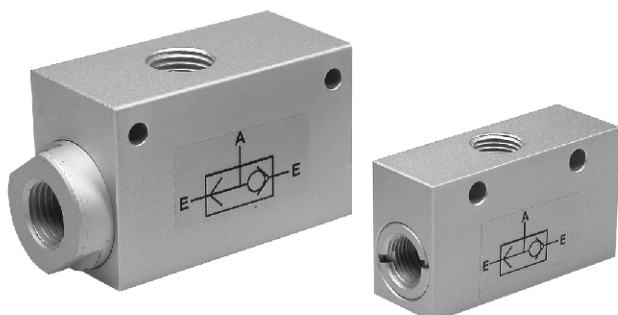
# MVAS series

## SHUTTLE VALVE



### Features:

- This valve has two input inlets(E1,E2) and can be controlled in different position.
- First activated position can get through to output signal(A).



### Specification:

Model	MVAS	
Bore No.	6A	8A
Port size	PT1/8	PT1/4
Medium	Air	
Operating pressure range	1~9.9 kgf/cm <sup>2</sup> (0.1~0.99MPa)	
Proof pressure	15 kgf/cm <sup>2</sup> (1.5MPa)	
Effective orifice	11.5 mm <sup>2</sup>	30.5 mm <sup>2</sup>
Ambient temperature	- 15~ + 60°C (No freezing)	
Weight	43g	119g

### Order example:

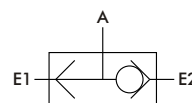
**MVAS - 6A - BSP**

MODEL

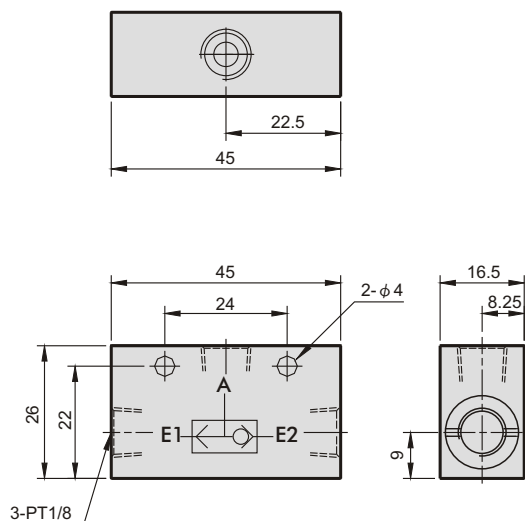
BORE SIZE  
6A □ PT1/8  
8A □ PT1/4

PORT THREAD  
Blank: PT thread  
BSP: BSP thread  
NPT: NPT thread

### Symbol:



### MVAS-6A



### MVAS-8A

