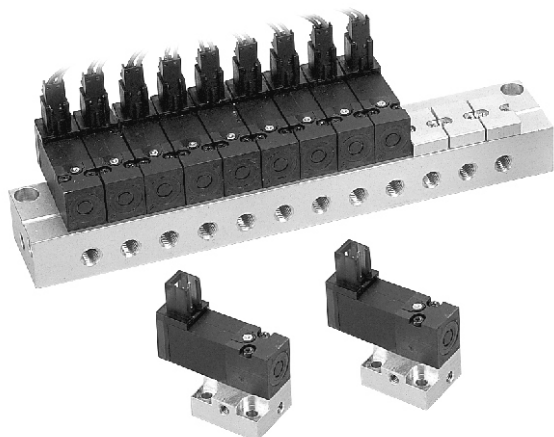


# MVDF-100 series

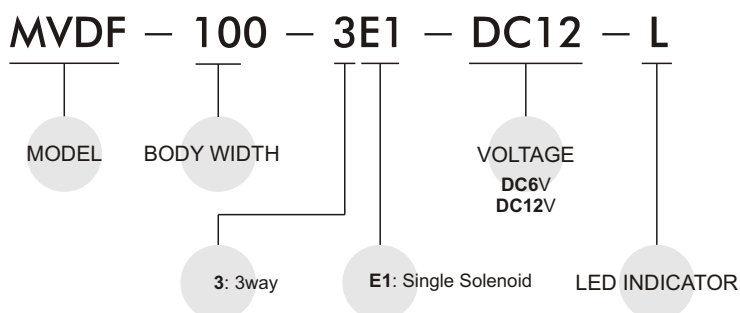
SOLENOID VALVE (direct operated type)



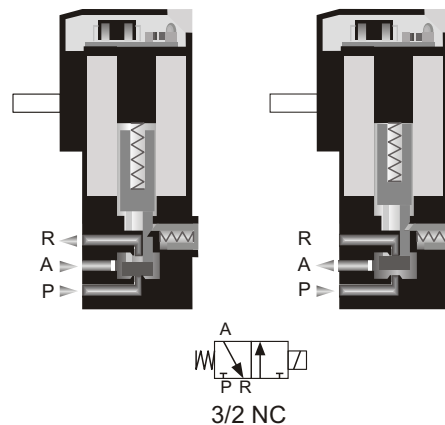
## Specification:

| Model                                  | MVDF-100-3E1            |
|--|-------------------------|
| No. of port                            | 3                       |
| No. of position                        | 2                       |
| Medium                                 | Air                     |
| Operating pressure range               | 0~8 kgf/cm <sup>2</sup> |
| Effective orifice mm <sup>2</sup> (Cv) | 0.28 (0.016)            |
| Response time                          | 8 ms                    |
| Ambient temperature                    | -10~+50°C (No freezing) |
| Lubrication                            | Not required            |
| Voltage                                | DC6V, DC12V             |
| Power consumption                      | 1.2 W (LED indicator)   |
| Available voltage range                | ±10%                    |
| Insulation class                       | IP 51                   |
| Weight                                 | 13 g                    |

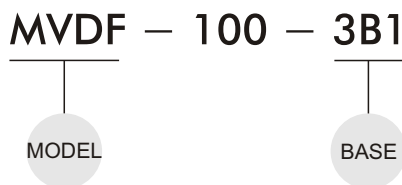
## Order example of valve:



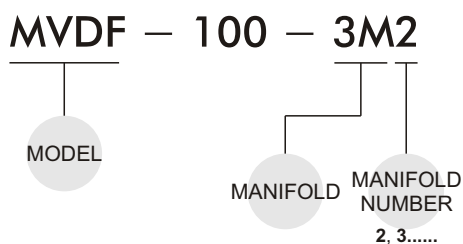
## Inside instructure:



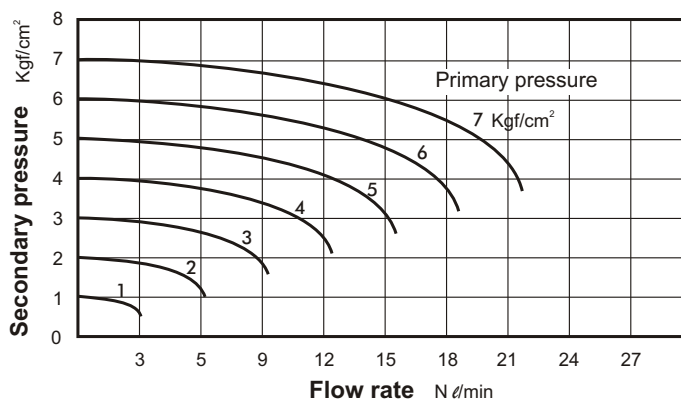
## Order example of base:



## Order example of manifold:



## Flow features:



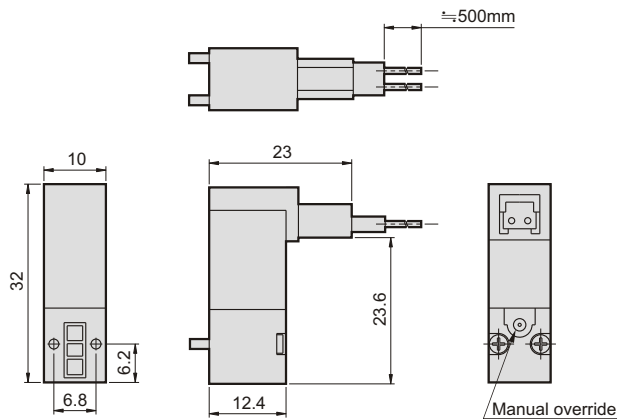
# MVDF-100

SOLENOID VALVE (direct operated type)

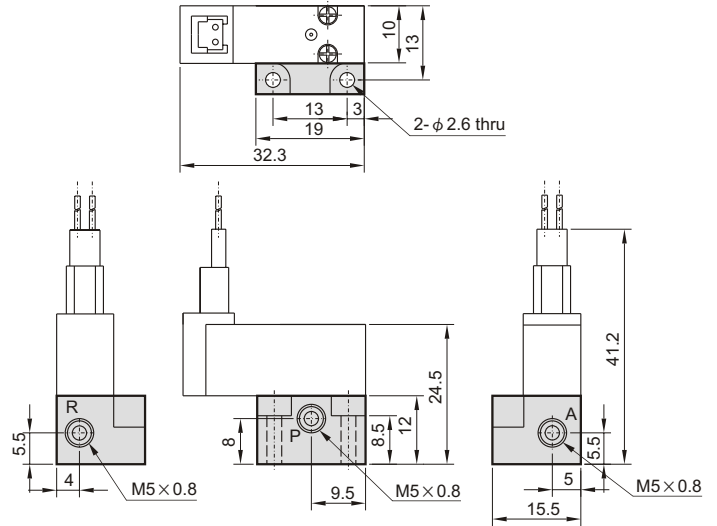


## Dimensions:

### MVDF-100-3E1

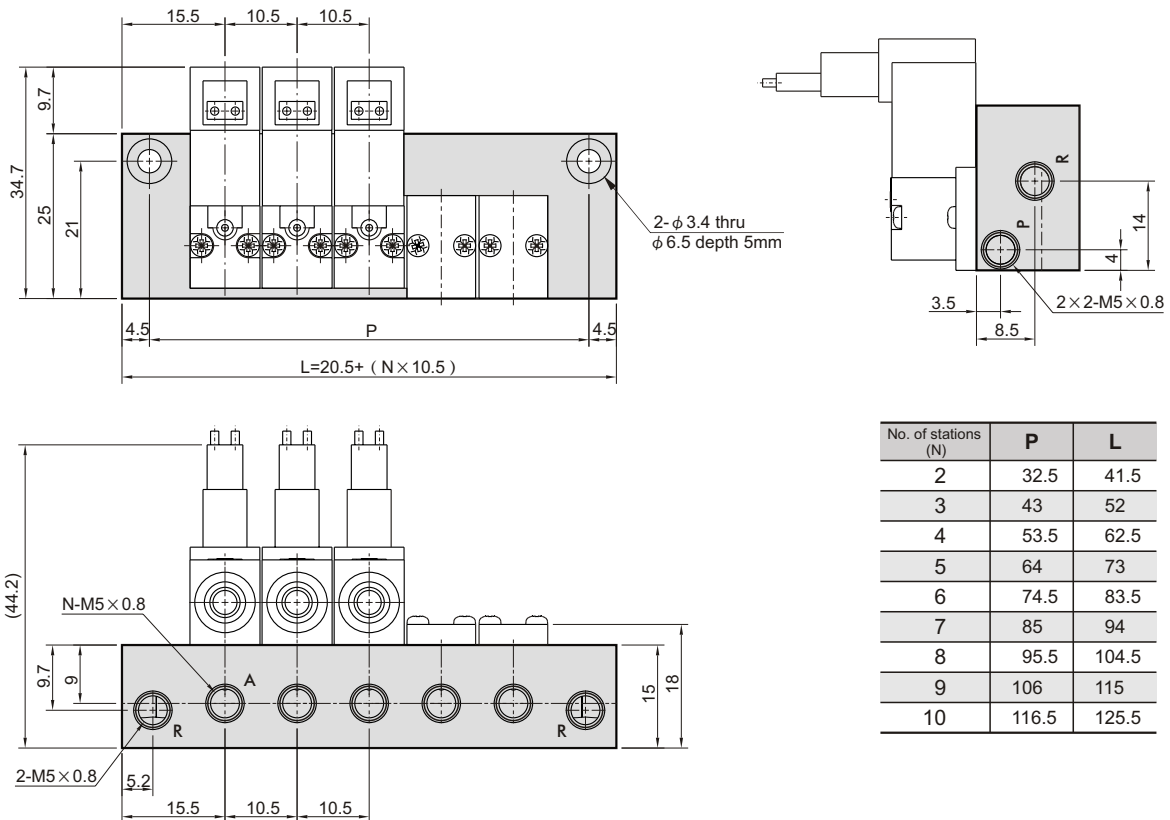


### MVDF-100-3B1



## Manifold of solenoid valve:

### MVDF-100-3M\*



| No. of stations (N) | P     | L     |
|---------------------|-------|-------|
| 2                   | 32.5  | 41.5  |
| 3                   | 43    | 52    |
| 4                   | 53.5  | 62.5  |
| 5                   | 64    | 73    |
| 6                   | 74.5  | 83.5  |
| 7                   | 85    | 94    |
| 8                   | 95.5  | 104.5 |
| 9                   | 106   | 115   |
| 10                  | 116.5 | 125.5 |