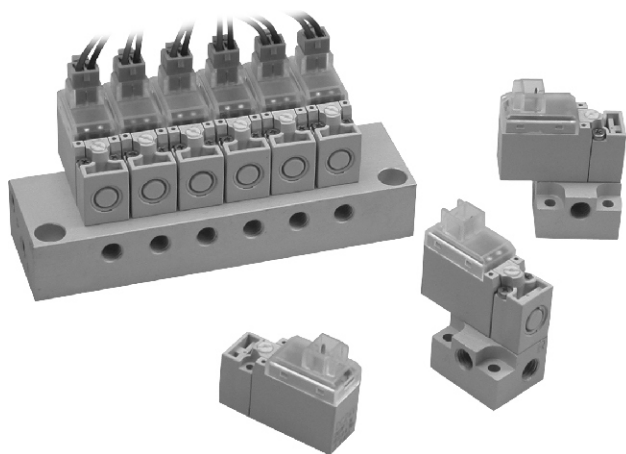


# MVDY-100 series

SOLENOID VALVE (direct operated type)



## Specification:

Model	MVDY-100-3E1
No. of port	3
No. of position	2
Medium	Air
Operating pressure range	0~7 kgf/cm <sup>2</sup>
Effective orifice mm <sup>2</sup> (Cv)	0.28 (0.016)
Response time	4 ms
Ambient temperature	+5~+50°C
Voltage	AC110V,AC220V(50/60)Hz,DC6/12/24V
Power consumption	AC=1.6 / 2.5VA,DC=1.2 W (LED indicator)
Available voltage range	±10%
Insulation class	F class
Weight	12 g

## Order example of valve:

MVDY - 100 - 3E1 - AC110

MODEL

BODY WIDTH

3: 3way

E1: Single Solenoid

VOLTAGE

AC220V(50/60)Hz  
AC110V(50/60)Hz  
DC24V  
DC12V  
DC6V

## Order example of base:

MVDY - 100 - 3B1

MODEL

BASE

## Order example of manifold:

MVDY - 100 - 3M2

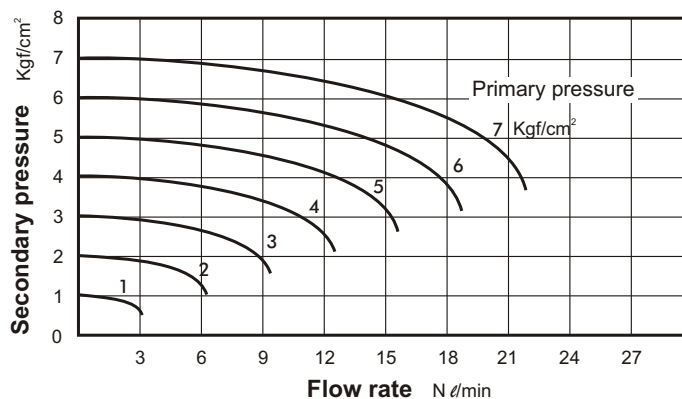
MODEL

MANIFOLD

MANIFOLD NUMBER

2, 3.....

## Flow features:



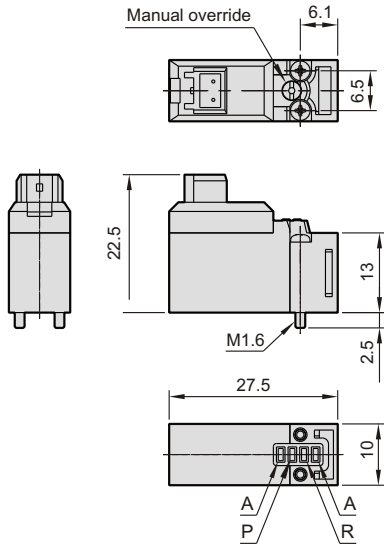
# MVDY-100

SOLENOID VALVE (direct operated type)



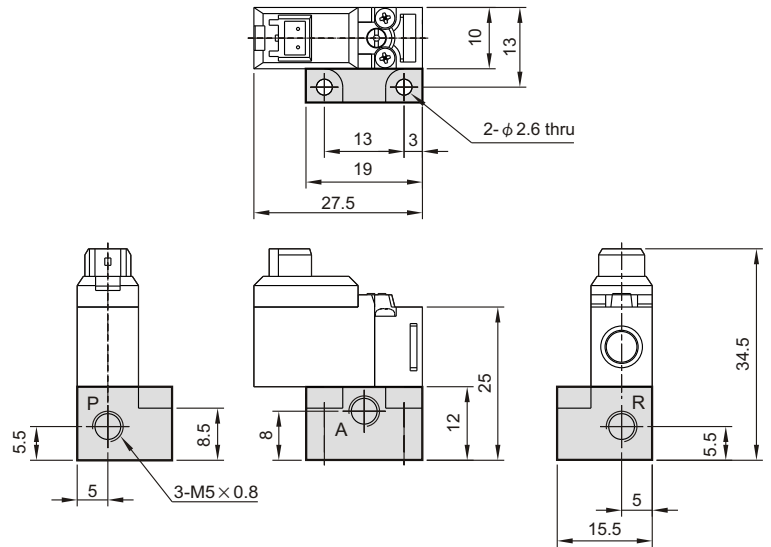
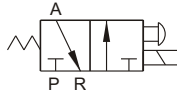
## Dimensions:

### MVDY-100-3E1



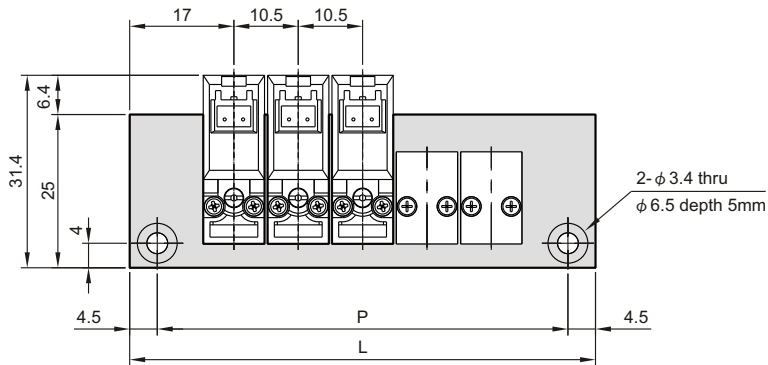
## Base dimensions:

### MVDY-100-3B1



## Manifold of solenoid valve:

### MVDY-100-3M\*



No. of stations (N)	P	L
2	35.5	44.5
3	46	55
4	56.5	65.5
5	67	76
6	77.5	86.5
7	88	97
8	98.5	107.5
9	109	118
10	119.5	128.5

