

# MVHB-260 series

## HAND VALVE



### Specification:

Model	MVHB-260(V)-4TV MVHB-260(V)-4TV-SP	MVHB-260(V)-4TV* MVHB-260(V)-4TV*-SP
Bore No.	8A	
Port size	PT 1/4	
No. of port	5	
No. of position	2	3
Medium	Air	
Operating pressure range	0~9.9 kgf/cm <sup>2</sup>	
Effective orifice	18 mm <sup>2</sup>	
Ambient temperature	-5~+60°C (No freezing)	
Weight	219 g	278 g

### Order example:

**MVHB-260V-4TVC-SP-BSP**

MODEL

BODY WIDTH

4way

Blank: Standard type  
V: Vertical type

VALVE TYPE

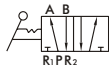
Blank: 5/2  
C: Close center (5/3)  
P: Pressure center (5/3)  
R: Exhaust center (5/3)

SPRING RETURN

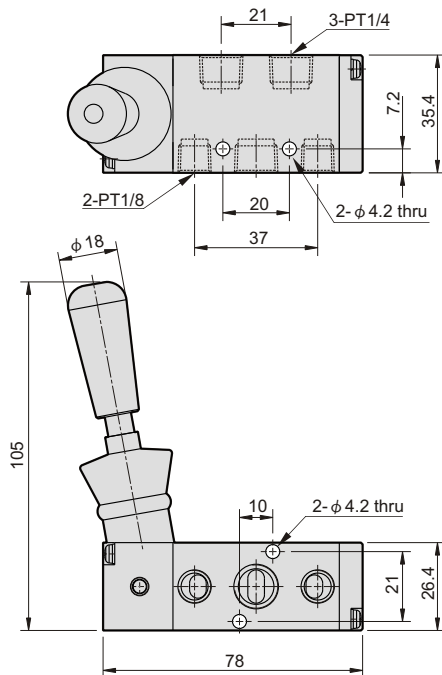
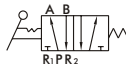
PORT THREAD

Blank: PT thread  
BSP: BSP thread  
NPT: NPT thread

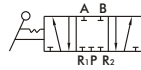
### MVHB-260-4TV



### MVHB-260-4TV-SP



### MVHB-260-4TVC



### MVHB-260-4TVC-SP



### MVHB-260-4TVP



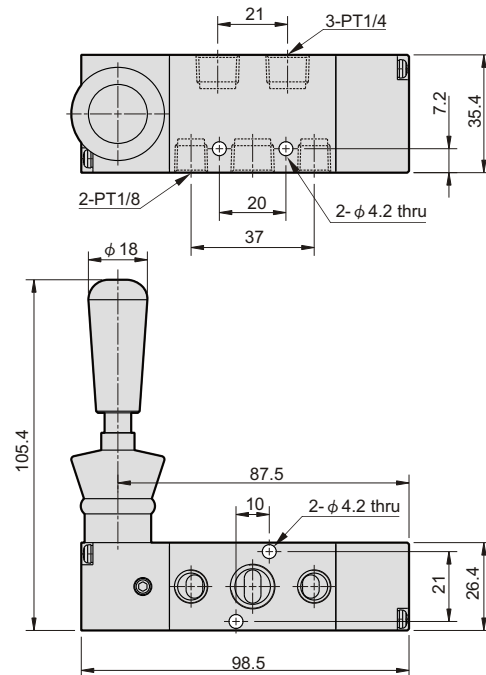
### MVHB-260-4TVP-SP



### MVHB-260-4TVR



### MVHB-260-4TVR-SP

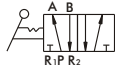


# MVHB-260

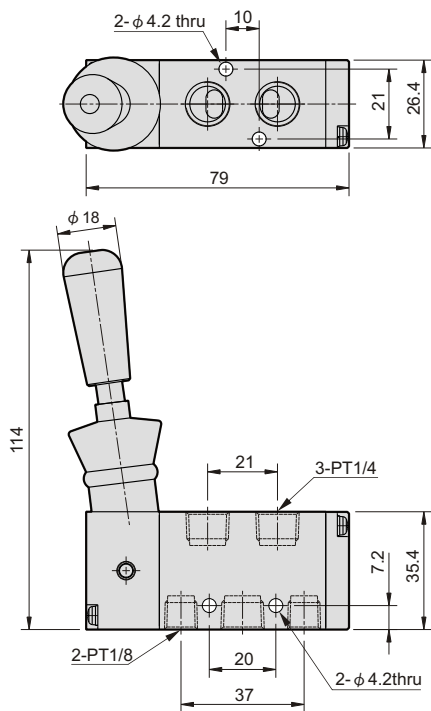
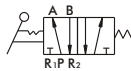
HAND VALVE



## MVHB-260V-4TV



## MVHB-260V-4TV-SP



## MVHB-260V-4TVC



## MVHB-260V-4TVC-SP



## MVHB-260V-4TVP



## MVHB-260V-4TVP-SP



## MVHB-260V-4TVR



## MVHB-260V-4TVR-SP

