

# MVHC series

## HAND VALVE

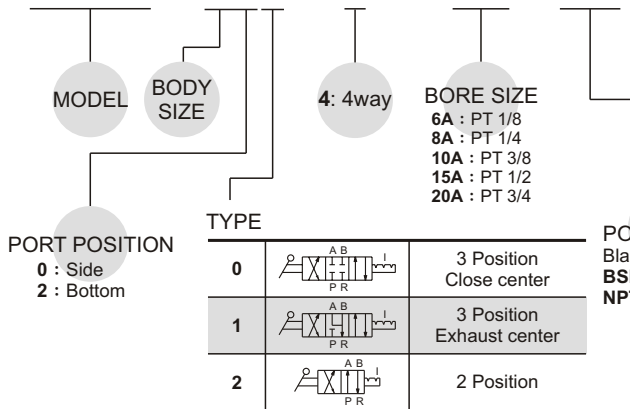


### Specification:

Model	MVHC-2**	MVHC-3**	MVHC-4**
Bore No.	6A, 8A	8A, 10A, 15A	15A, 20A
No. of port	4		
Medium	Air		
Operating pressure range	0~9.9 kgf/cm <sup>2</sup>		
Ambient temperature	-5~+60°C (No freezing)		
Option	Mounting nut		
Weight	280 g	420 g	1100 g

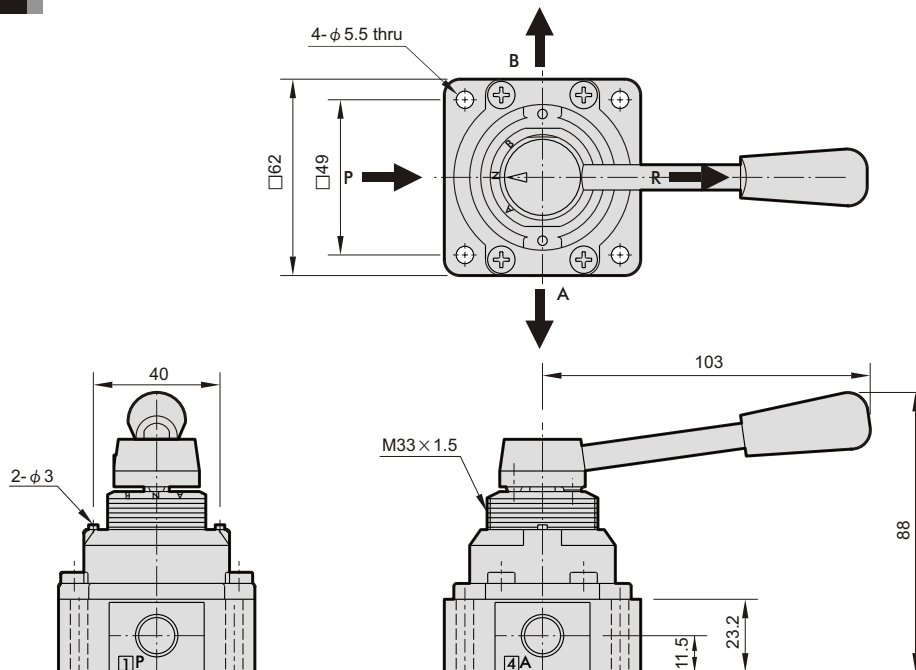
### Order example:

**MVHC - 200 - 4H - 8A - BSP**

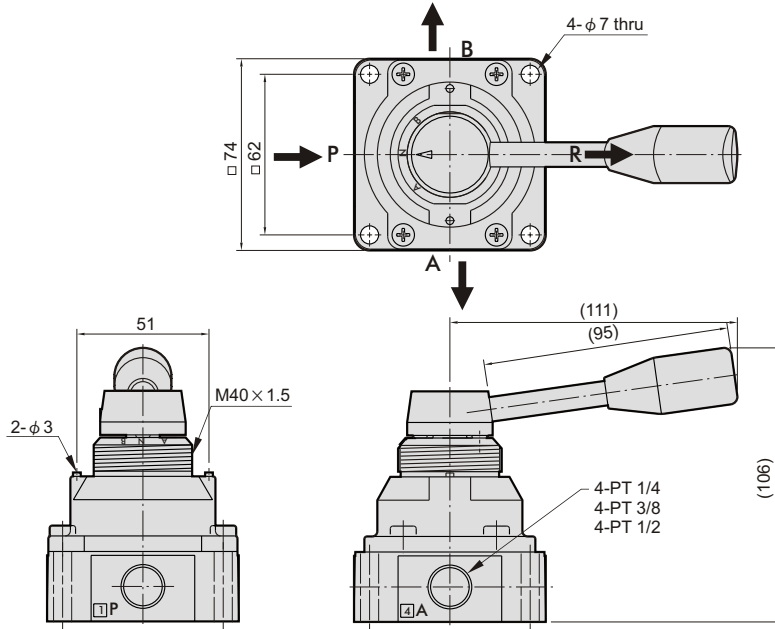


Bore size	6A	8A	10A	15A	20A
Model	PT 1/8	PT 1/4	PT 3/8	PT 1/2	PT 3/4
<b>MVHC-2**</b>					
<b>MVHC-3**</b>					
<b>MVHC-4**</b>					

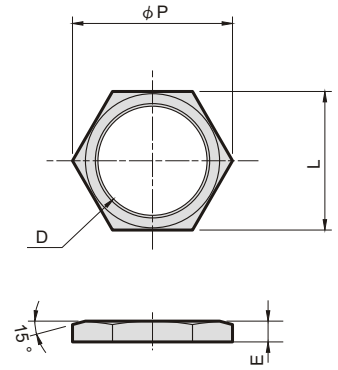
### MVHC-20\*



## MVHC-30\*

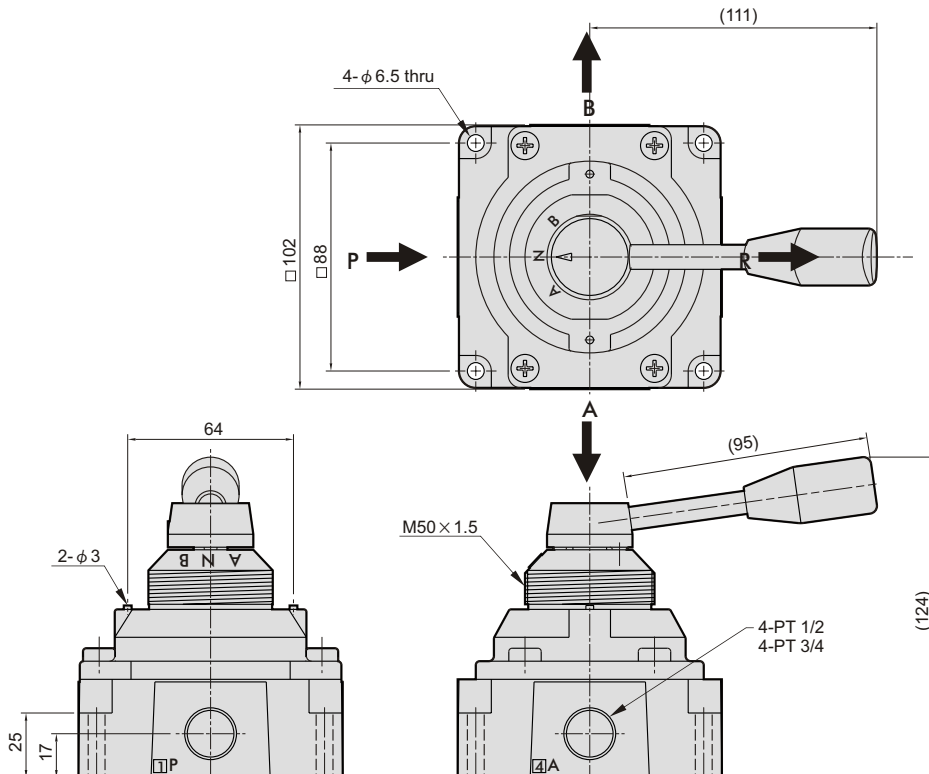


## Mounting nut

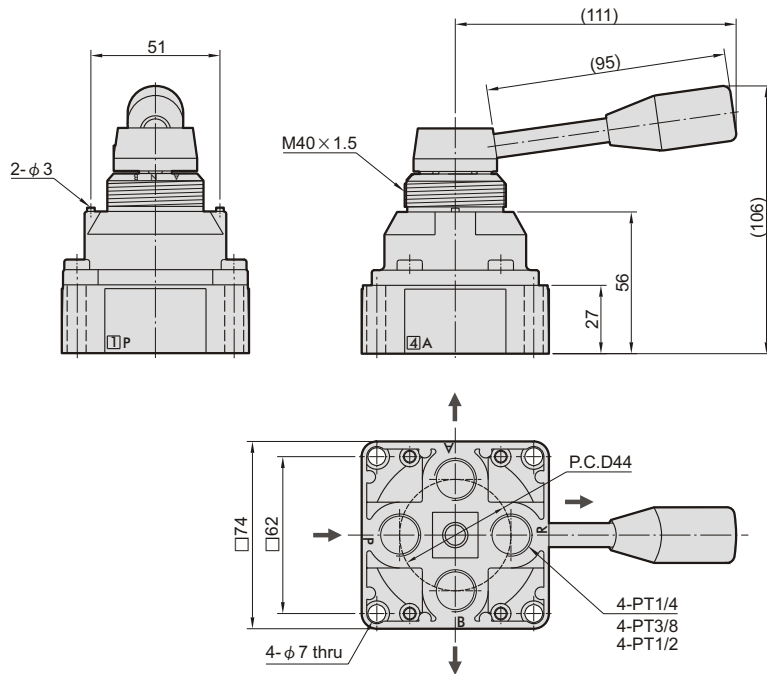


Model	D	E	L	P
2**	M33 × 1.5	6	40	46
3**	M40 × 1.5	6	50	57
4**	M50 × 1.5	8	55	63

## MVHC-40\*



## MVHC-32\*



## MVHC-42\*

