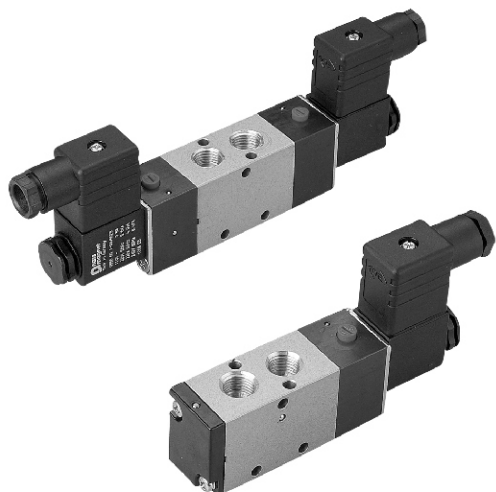


MVSE-260 series

SOLENOID VALVE



Specification:

Model	MVSE-260-4E1	MVSE-260-4E2
Bore No.	8A	
Port size	PT 1/4	
No. of port	5	
No. of position	2	
Medium	Air	
Operating pressure range	2~12 kgf/cm ²	
Proof pressure	15 kgf/cm ²	
Effective orifice	18 mm ²	
Response time	40 ms	
Ambient temperature	-5~+50°C (No freezing)	
Voltage	AC110V, AC220V (50/60)Hz, DC24V	
Power consumption	AC=6/4.9VA, DC=2.5W	
Available voltage range	±10%	
Insulation class	F class	
Weight	255g	350g

Order example of valve:

MVSE – 260 – 4E2 – AC110 – L – BSP

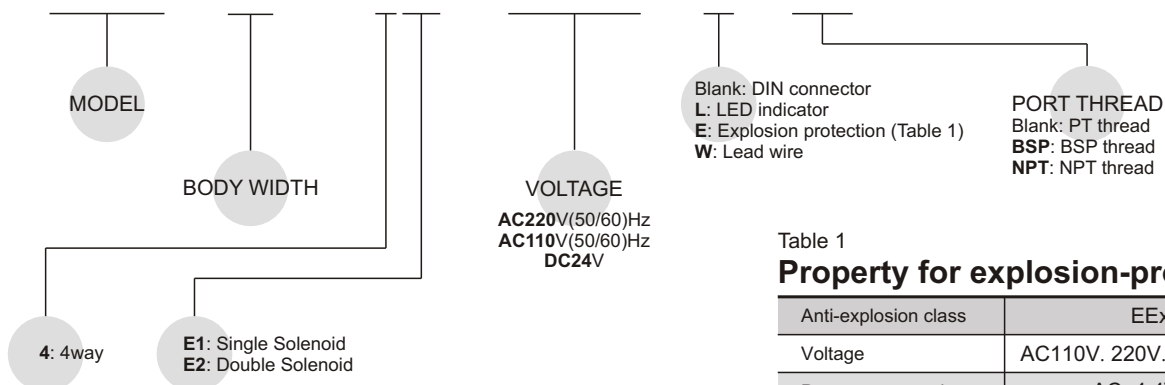


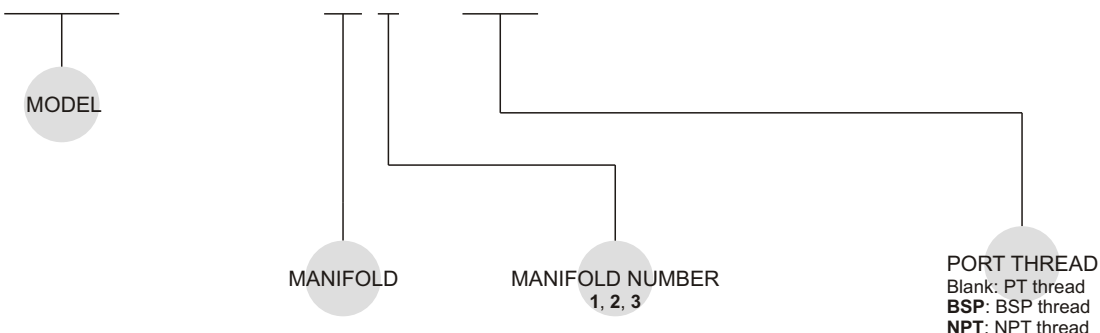
Table 1

Property for explosion-proof type

Anti-explosion class	EEx m II T4
Voltage	AC110V, 220V, (50/60)Hz, DC24V.
Power consumption	AC=4.4VA, DC=5W
Available voltage range	±10%
Insulation class	F class

Order example of manifold:

MVSE – 260 – 5B3 – BSP



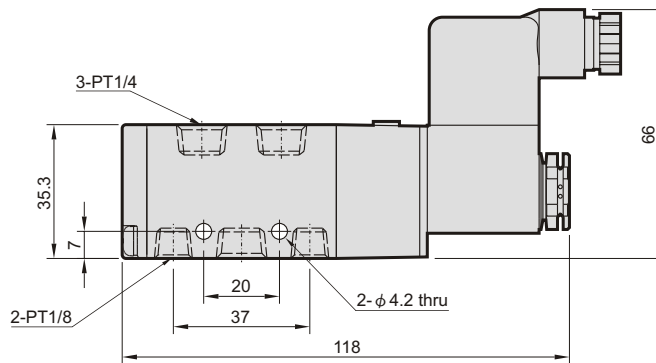
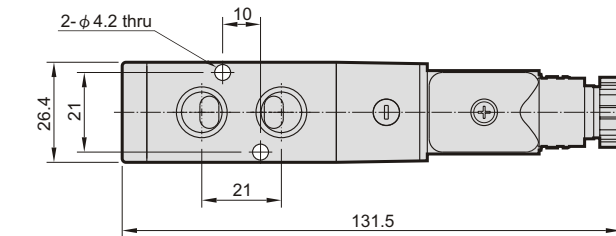
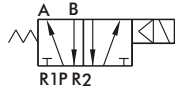
MVSE-260

SOLENOID VALVE

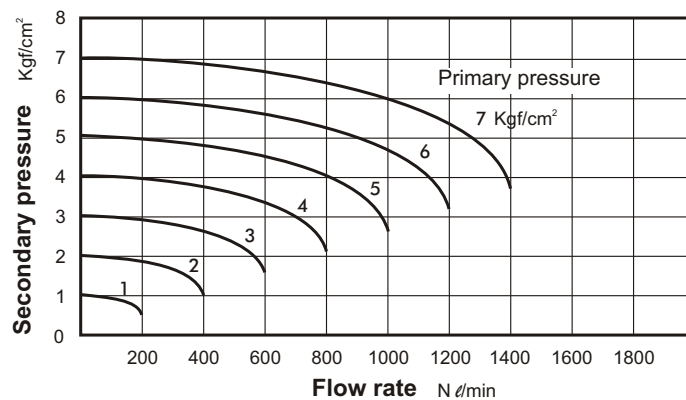


Dimensions:

MVSE-260-4E1



Flow features:

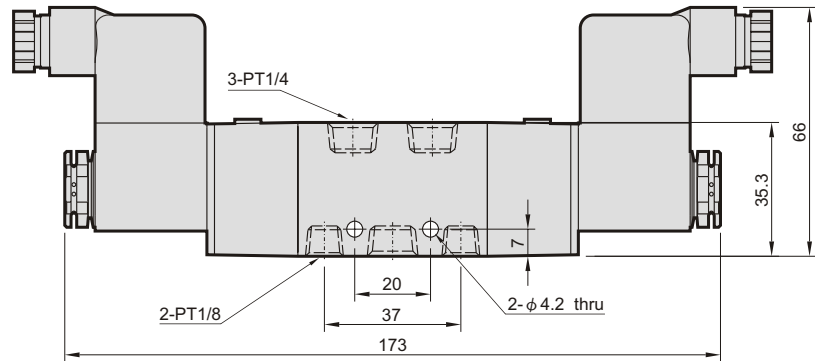
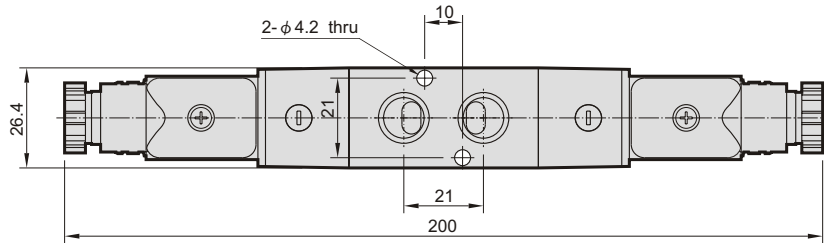
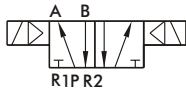


MVSE-260

SOLENOID VALVE

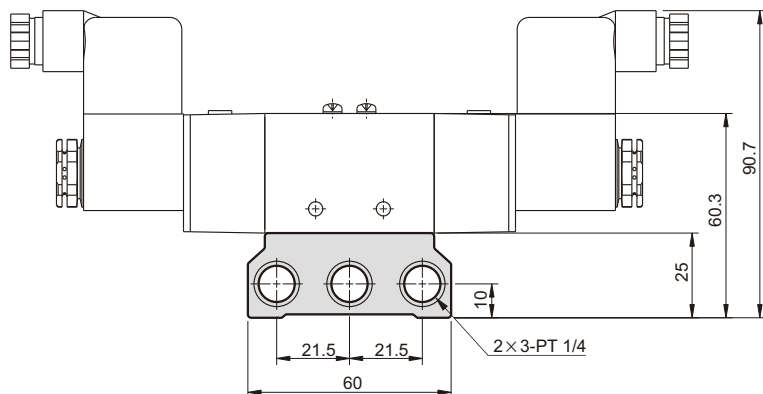
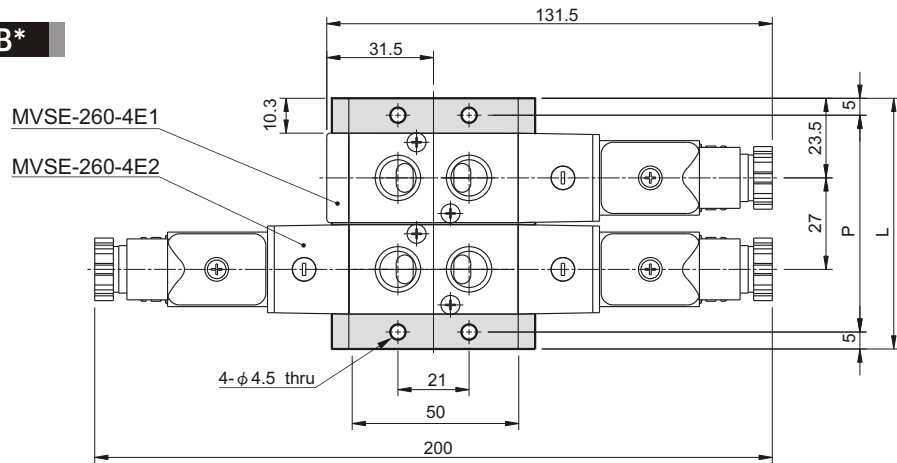


MVSE-260-4E2



Manifold of solenoid valve:

MVSE-260-5B*



No. of stations	P	L
2	64	74
3	91	101
4	118	128
5	145	155
6	172	182
7	199	209
8	226	236
9	253	263
10	280	290