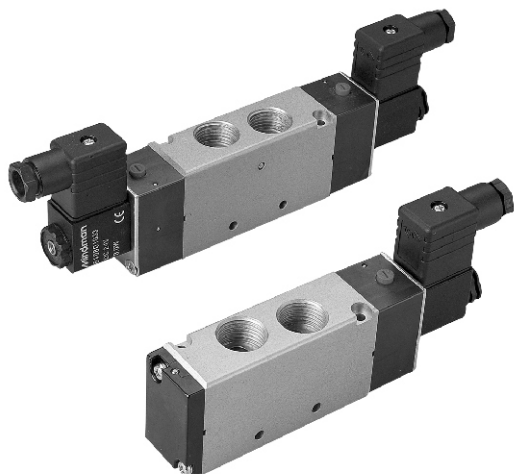


MVSE-500 series

SOLENOID VALVE



Specification:

Model	MVSE-500-4E1	MVSE-500-4E2
Bore No.	15A	
Port size	PT 1/2	
No. of port	5	
No. of position	2	
Medium	Air	
Operating pressure range	2~12 kgf/cm ²	
Proof pressure	15 kgf/cm ²	
Effective orifice	41 mm ²	
Response time	50 ms	
Ambient temperature	-5~+50°C (No freezing)	
Voltage	AC110V, AC220V (50/60)Hz, DC24V	
Power consumption	AC=6/4.9VA, DC=2.5W	
Available voltage range	±10%	
Insulation class	F class	
Weight	453g	554g

Order example of valve:

MVSE — 500 — 4E2 — AC110 — L — BSP

MODEL

BODY WIDTH

VOLTAGE

AC220V(50/60)Hz
AC110V(50/60)Hz
DC24V

4: 4way

E1: Single Solenoid
E2: Double Solenoid

Blank: DIN connector
L: LED indicator
E: Explosion protection (Table 1)
W: Lead wire

PORT THREAD
Blank: PT thread
BSP: BSP thread
NPT: NPT thread

Table 1

Property for explosion-proof type

Anti-explosion class	EEx m II T4
Voltage	AC110V, 220V, (50/60)Hz, DC24V.
Power consumption	AC=4.4VA, DC=5W
Available Voltage range	±10%
Insulation class	F class

Order example of manifold:

MVSC — 460 — 5B3 — PT

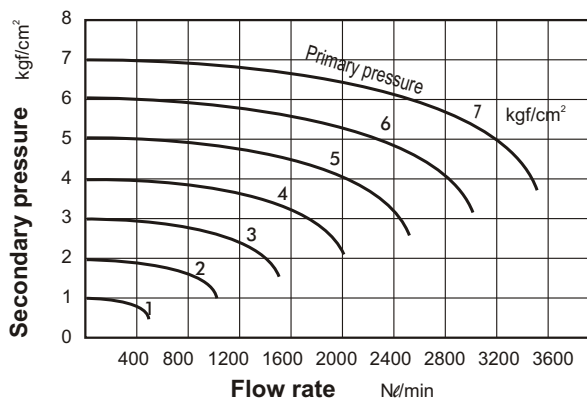
MODEL

MANIFOLD

MANIFOLD NUMBER
1, 2, 3

PORT THREAD
PT: PT thread
NPT: NPT thread

Flow features:



※ Use the same manifold with MVSC-460.

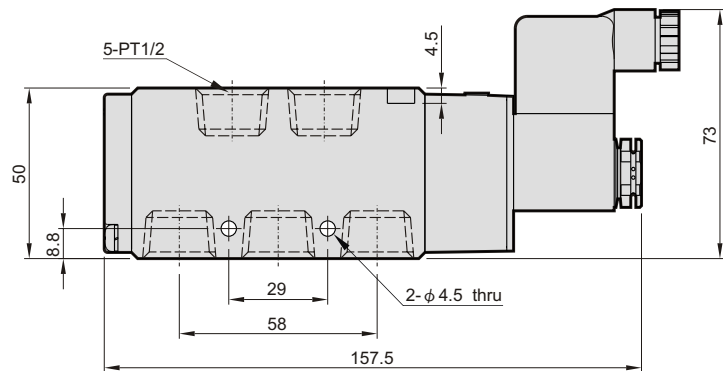
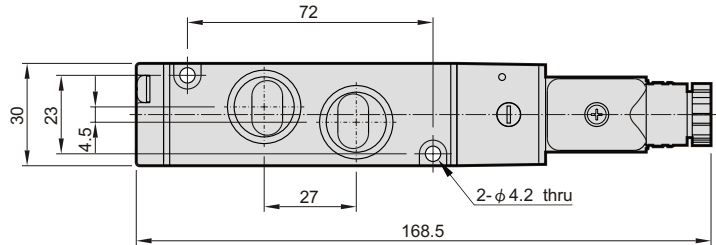
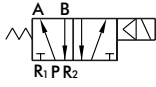
MVSE-500

SOLENOID VALVE

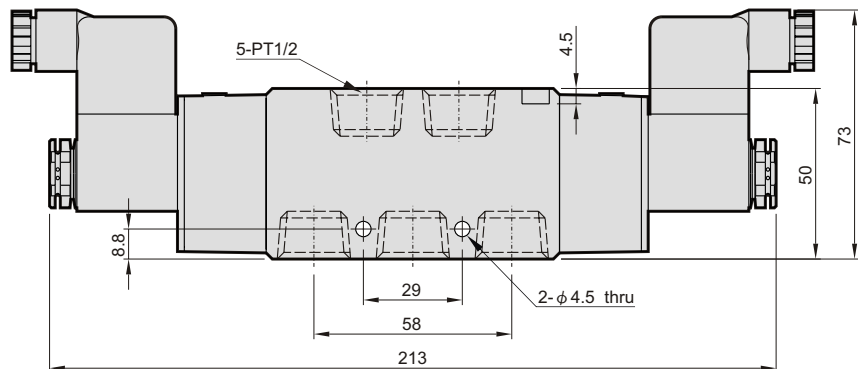
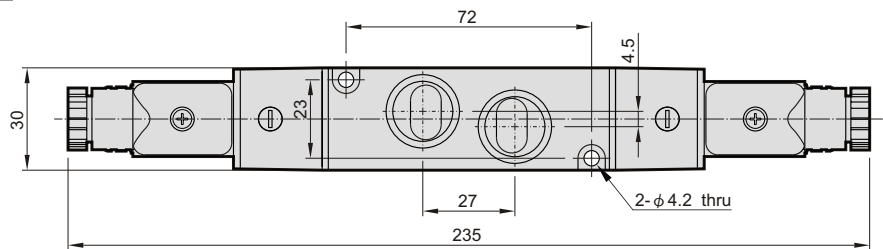
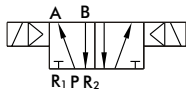


Dimensions:

MVSE-500-4E1



MVSE-500-4E2

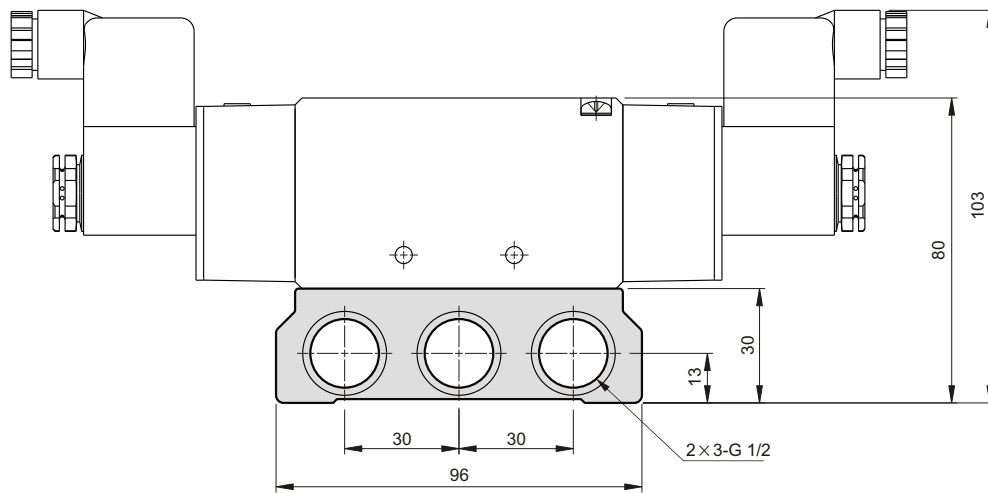
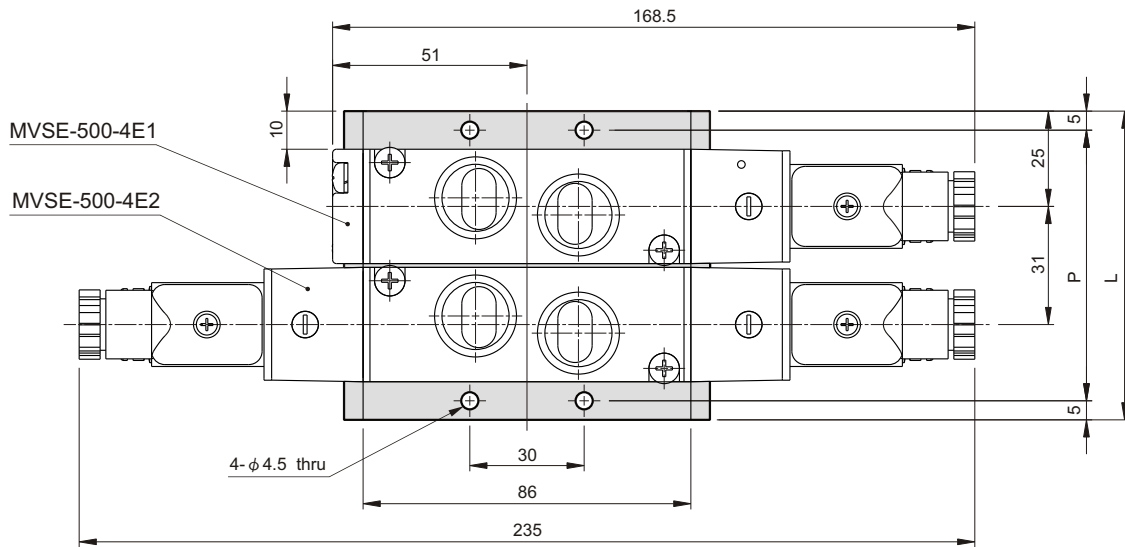


MVSE-500

SOLENOID VALVE



Manifold of solenoid valve:



No. of stations	P	L
2	71	81
3	102	112
4	133	143
5	164	174
6	195	205
7	226	236
8	257	267
9	288	298
10	319	329