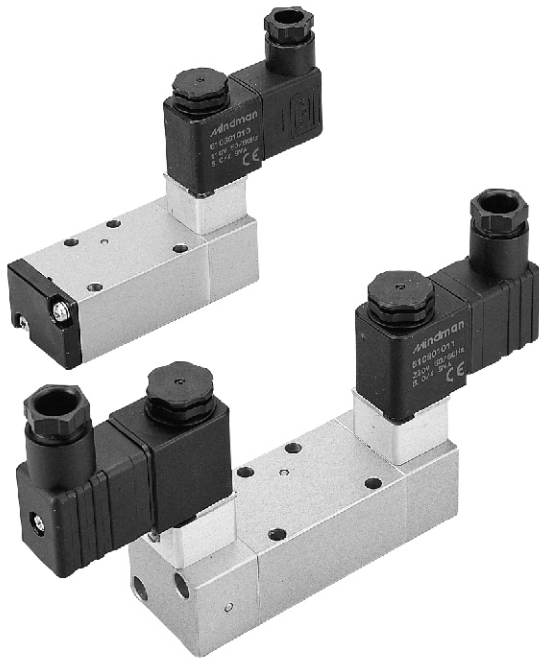


MVSI-260 series

ISO-1 SOLENOID VALVE



Specification:

| Model | MVSI-260-4E1 | MVSI-260-4E2 | MVSI-260-4E2C.P.R |
|--------------------------|-------------------------------|--------------|-------------------------|
| No. of port | 5 | | |
| No. of position | 2 | 2 | 3 |
| Medium | Air | | |
| Operating pressure range | 2~7 kgf/cm ² | | 3~7 kgf/cm ² |
| Proof pressure | 10.5 kgf/cm ² | | |
| Effective orifice | 22 mm ² | | 20 mm ² |
| Response time | 40 ms | | |
| Ambient temperature | -5~+50°C (No freezing) | | |
| Voltage | AC110V, 220V (50/60)Hz, DC24V | | |
| Power consumption | AC=6/4.9VA, DC=2.5W | | |
| Available voltage range | ±10% | | |
| Insulation class | F class | | |
| Weight | 312 g | 422 g | 572 g |

Order example of valve:

MVSI - 260 - 4E2C - AC110 - L

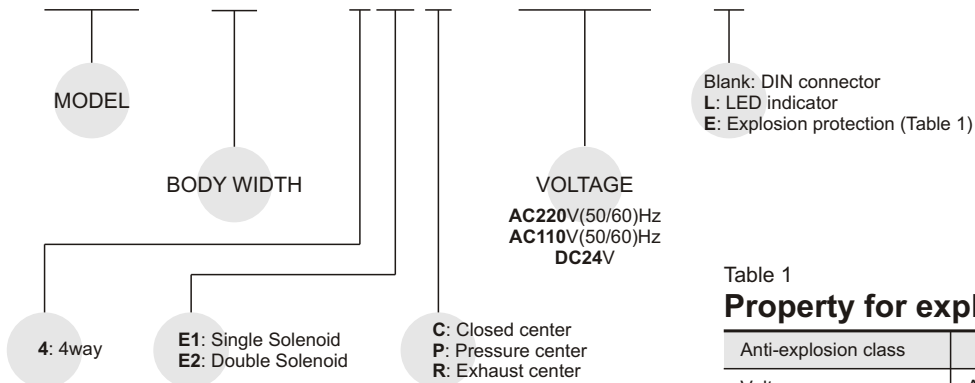


Table 1
Property for explosion-proof type

| | |
|-------------------------|--------------------------------|
| Anti-explosion class | EEx m II T4 |
| Voltage | AC110V, 220V.(50/60)Hz, DC24V. |
| Power consumption | AC=4.4VA DC=5W |
| Available voltage range | ±10% |
| Insulation class | F class |

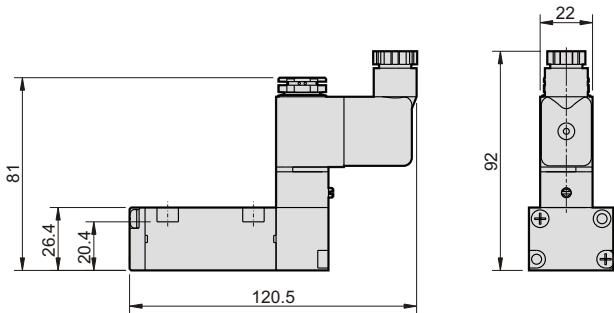
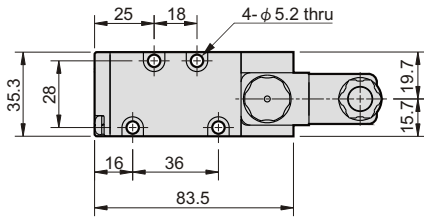
MVSI-260

ISO-1 SOLENOID VALVE

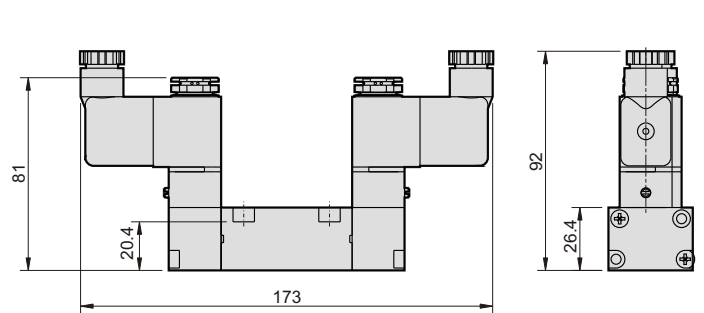
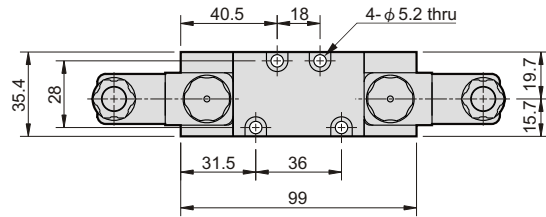


Dimensions:

MVSI-260-4E1



MVSI-260-4E2



MVSI-260-4E2C.P.R

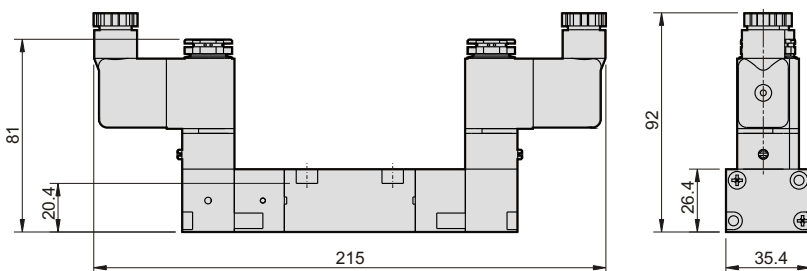
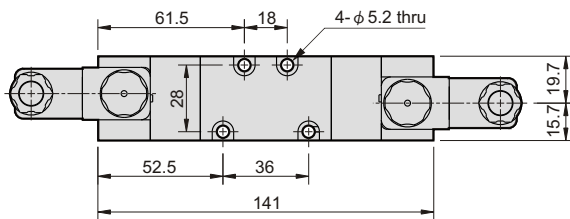
MVSI-260-4E2C



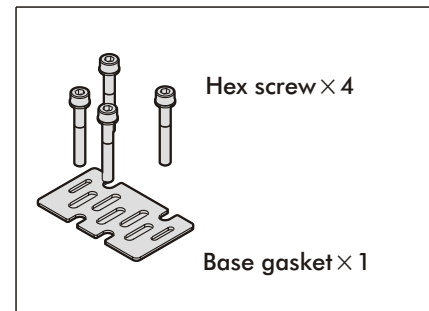
MVSI-260-4E2P



MVSI-260-4E2R



Accessories



Flow features:

