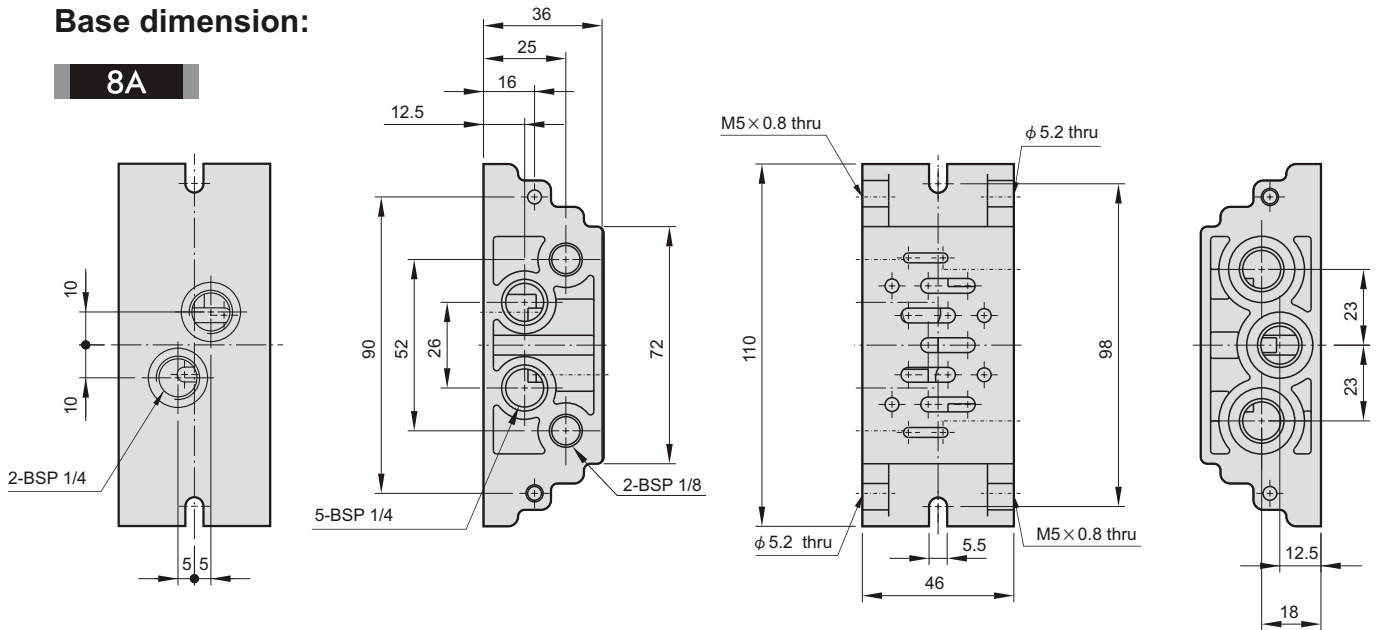


### Base dimension:

**8A**



### Order example:

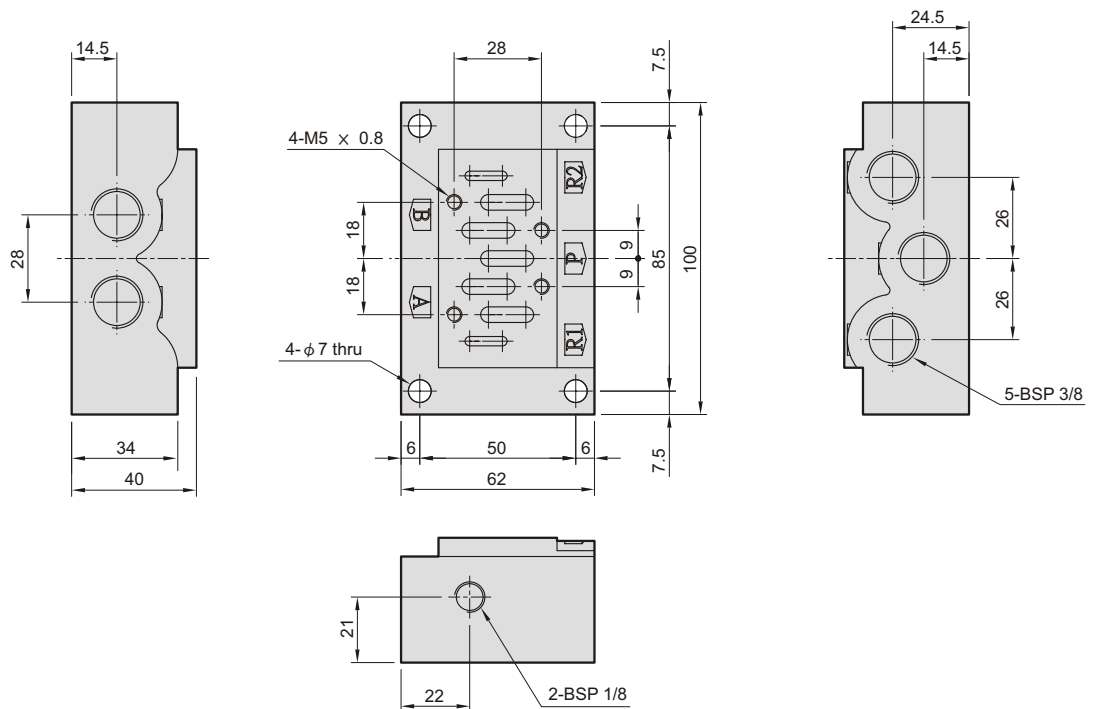
**MVSI - 1 - B - 8A**

MODEL

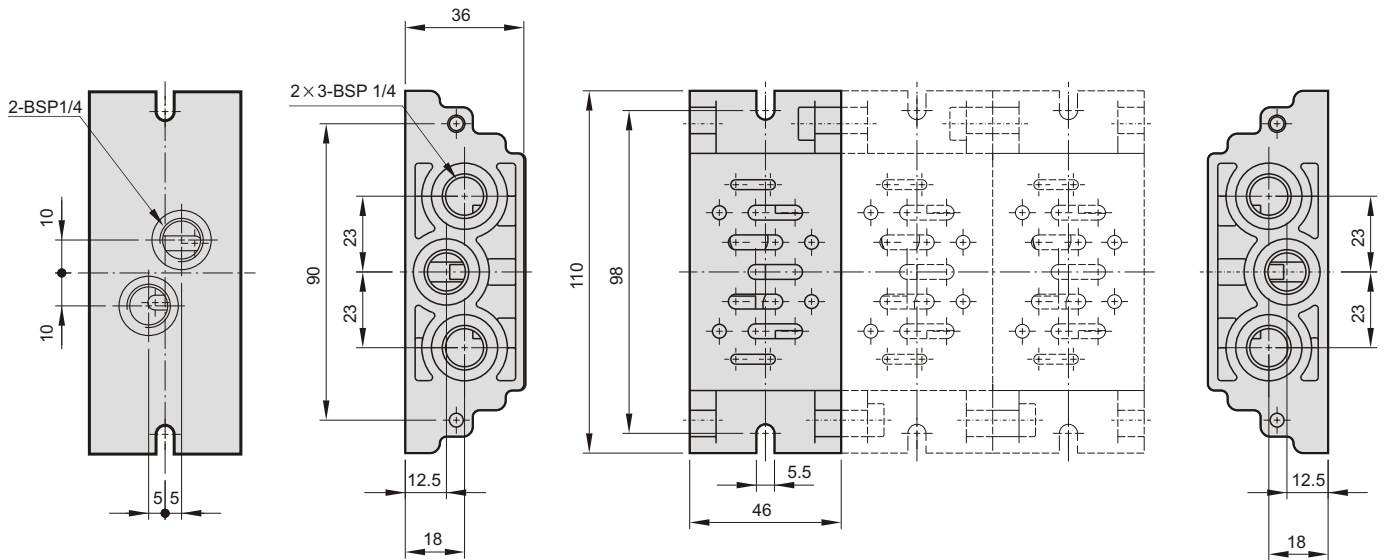
BASE

BORE SIZE  
8A : PT 1/4  
10A : PT 3/8

**10A**



### Manifold of solenoid valve:



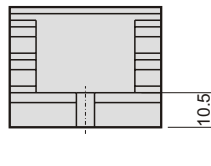
### Order example:

MVSI - 1 - M2

MODEL

MANIFOLD

NO. OF STATIONS  
1, 2, 3

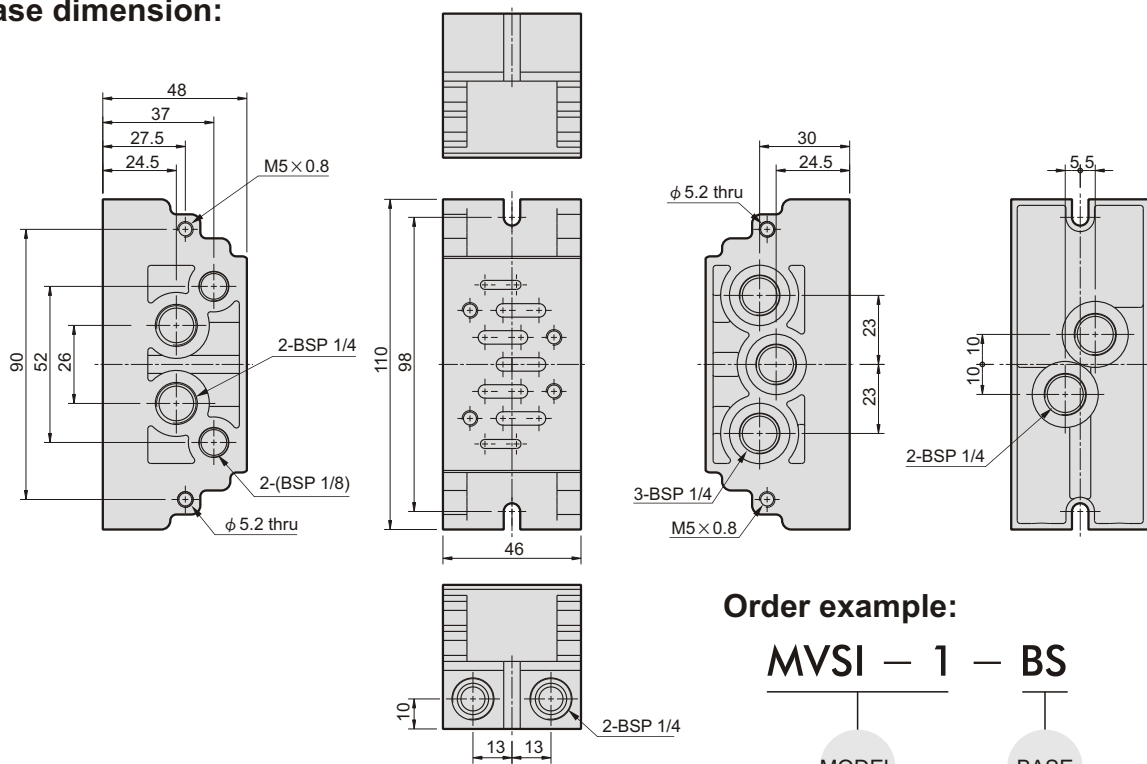


# MVSI Base & Manifold (side ported type)

## ISO-1 SOLENOID VALVE



### Base dimension:



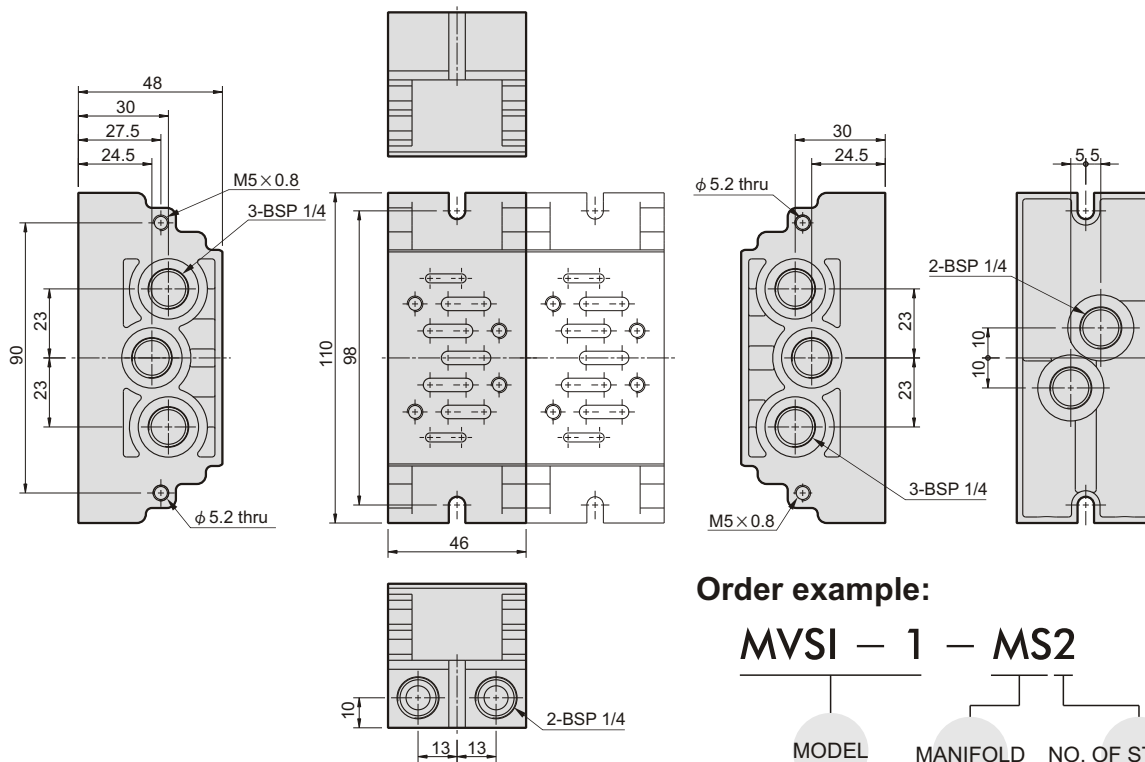
### Order example:

MVSI - 1 - BS

MODEL

BASE

### Manifold of solenoid valve:



### Order example:

MVSI - 1 - MS2

MODEL

MANIFOLD

NO. OF STATIONS

2, 3...