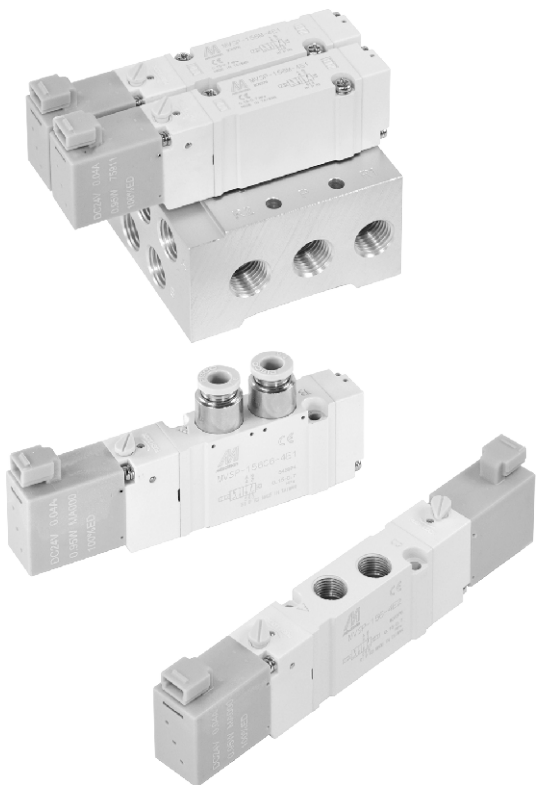


# MVSP-156 series

SOLENOID VALVE

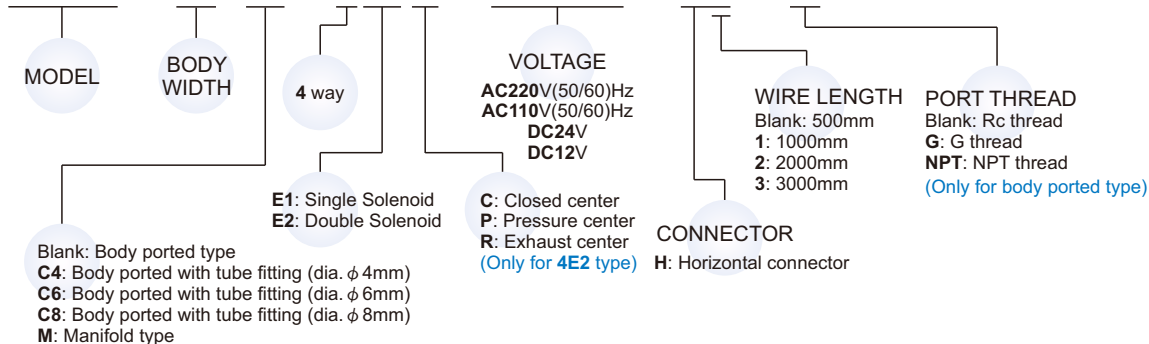


## Specification

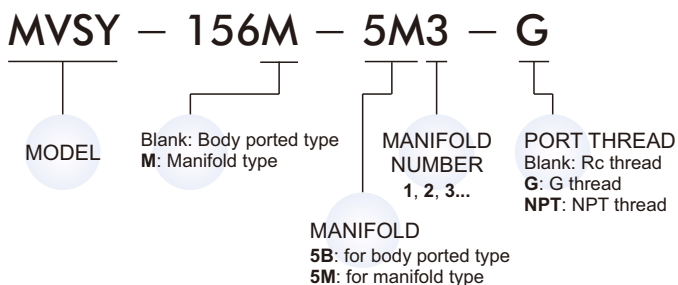
Model	4E1	4E2	4E2C.P.R
Port size	Rc1/8		
No. of port / position	5 / 2		5 / 3
Medium	Air		
Operating pressure range	0.15~0.7 MPa		0.2~0.7 MPa
Proof pressure	1 MPa		
Effective orifice (mm <sup>2</sup> )	Body ported	11	9.5 / 14.6 / 9.5
	Manifold	10	7.5 / 13 / 8
Ambient temperature	-5~+50°C (No freezing)		
Response time	22 ms		25 ms
Voltage	AC110V, AC220V(50/60)Hz, DC12/24V		
Power consumption	AC=5VA, 5.5VA (220V), DC=0.95W		
Available voltage range	±10%		
Insulation class	F class		
Weight	83 g	118 g	127 g

## Order example of valve

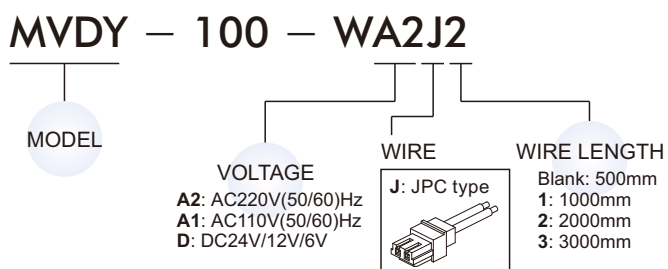
**MVSP - 156M - 4E2C - AC110 - H1 - G**



## Order example of manifold ※ Use the same manifold with MVSY.



## Order example of wire ※ Use the same wire with MVDY.

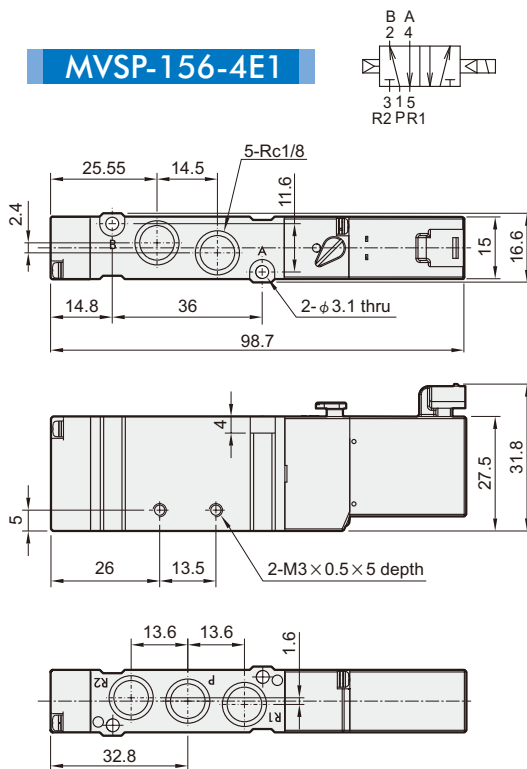


# MVSP-156 Dimensions

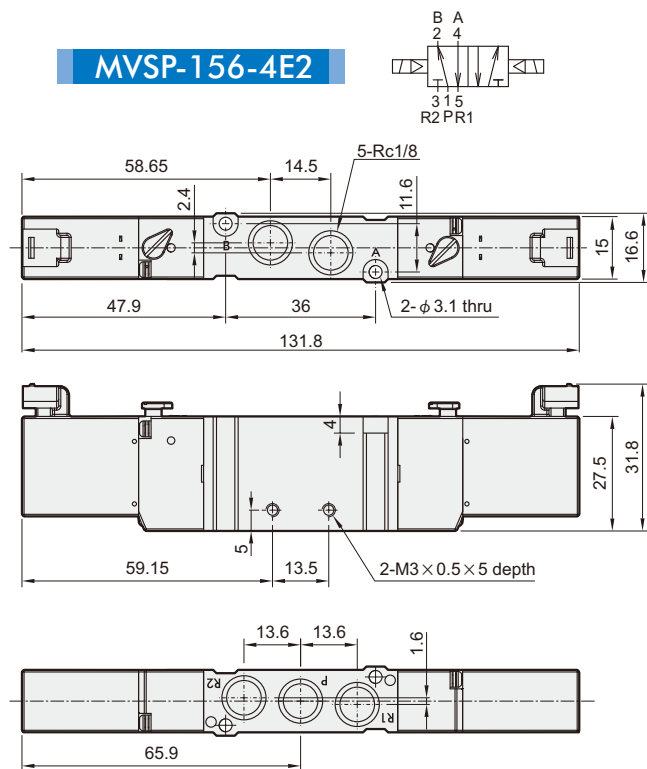
## SOLENOID VALVE



**MVSP-156-4E1**



**MVSP-156-4E2**

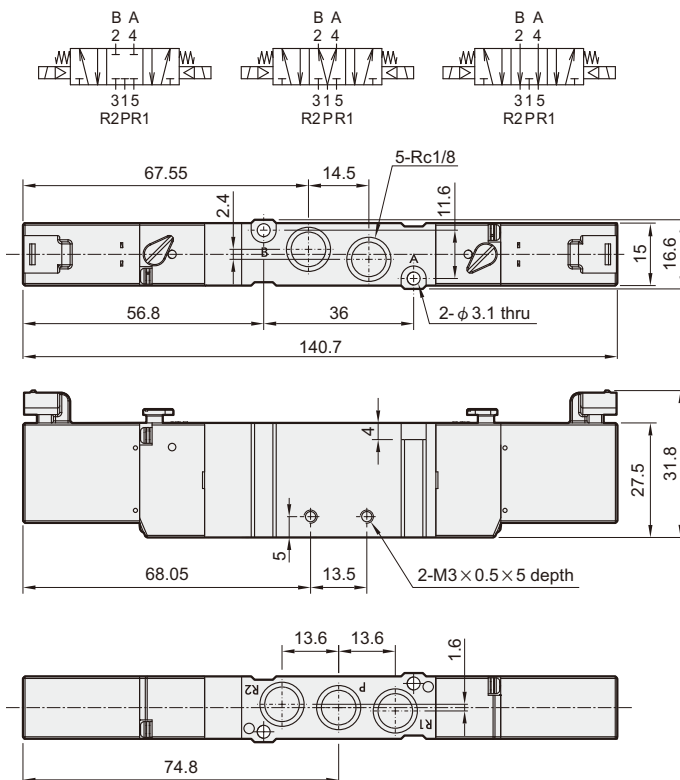


**MVSP-156-4E2C.PR**

**MVSP-156-4E2C**

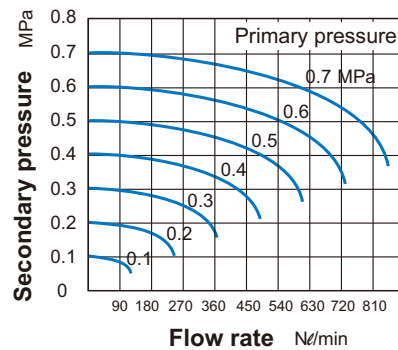
**MVSP-156-4E2P**

**MVSP-156-4E2R**

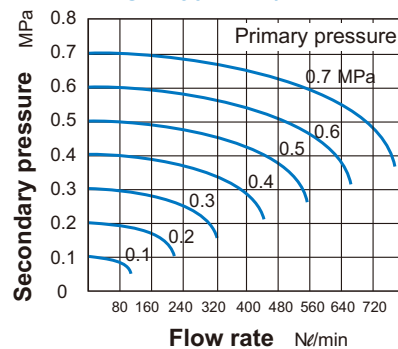


## Flow features

**MVSP-156-4E1/4E2**



**MVSP-156M-4E1/4E2**



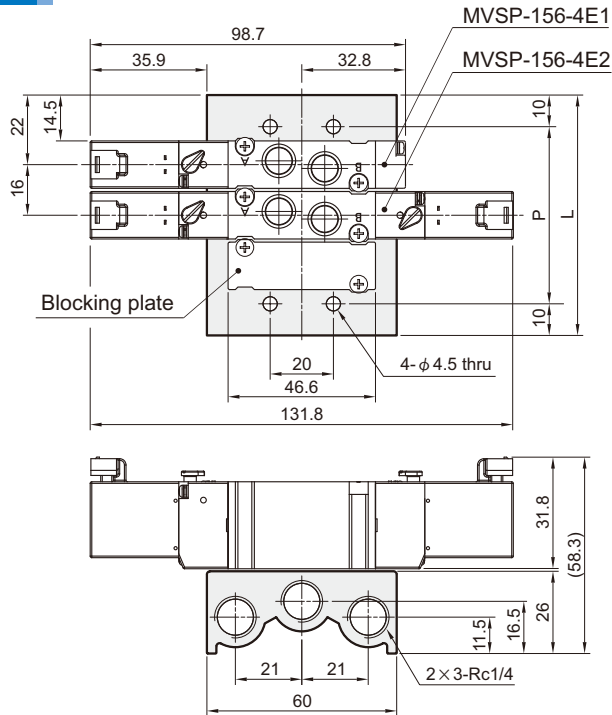
# MVSP-156 Manifold

## SOLENOID VALVE



### MVSY-156-5B\*

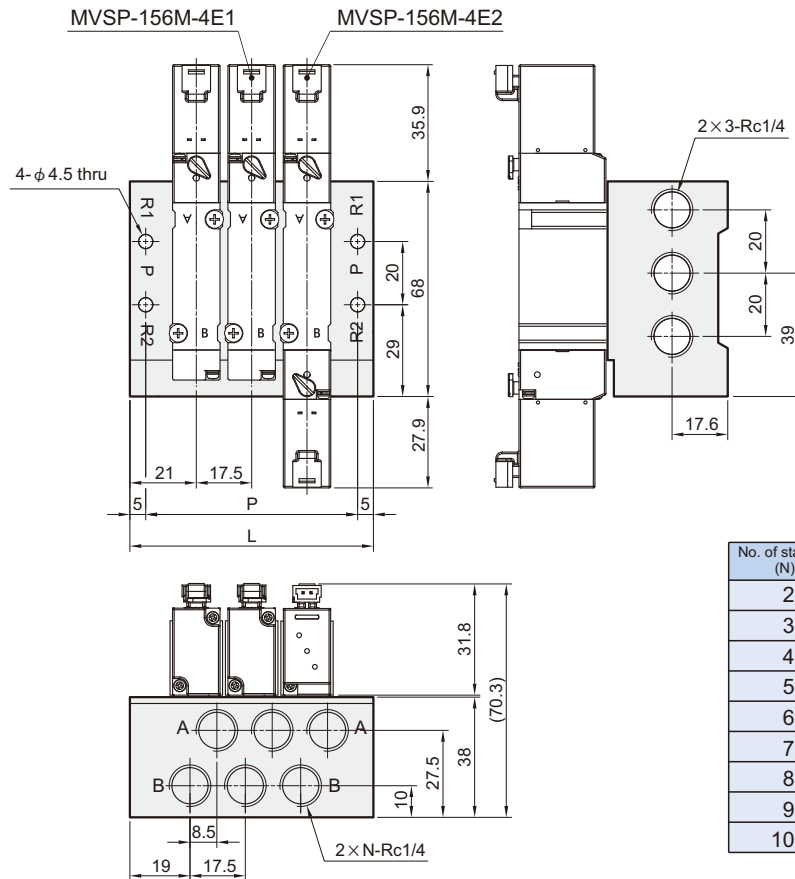
for body ported type



No. of stations	P	L
2	40	60
3	56	76
4	72	92
5	88	108
6	104	124
7	120	140
8	136	156
9	152	172
10	168	188

### MVSY-156M-5M\*

for manifold type



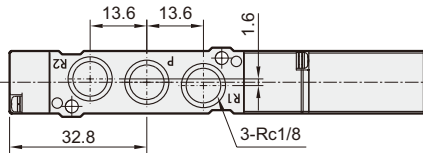
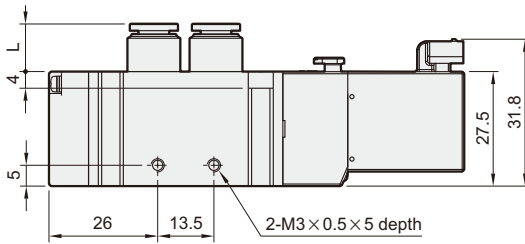
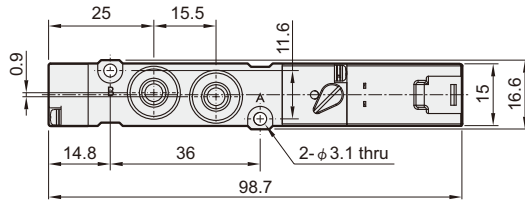
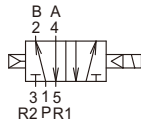
No. of stations (N)	P	L
2	49.5	59.5
3	67	77
4	84.5	94.5
5	102	112
6	119.5	129.5
7	137	147
8	154.5	164.5
9	172	182
10	189.5	199.5

# MVSP-156 Dimensions

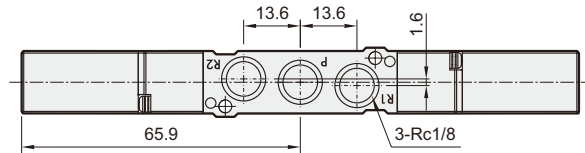
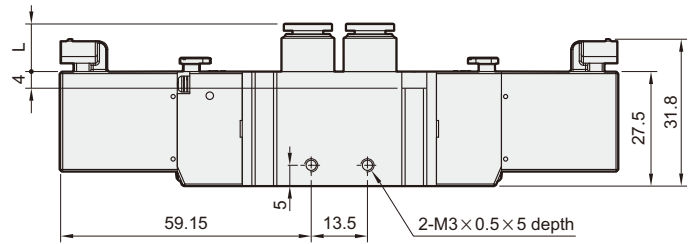
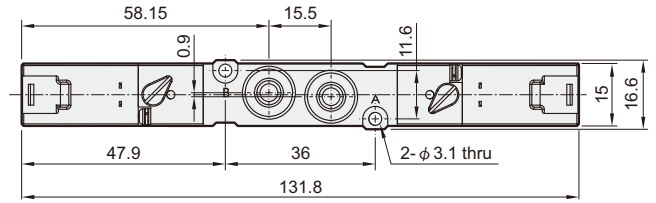
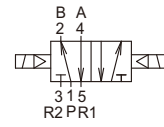
## SOLENOID VALVE



### MVSP-156C\*-4E1



### MVSP-156C\*-4E2

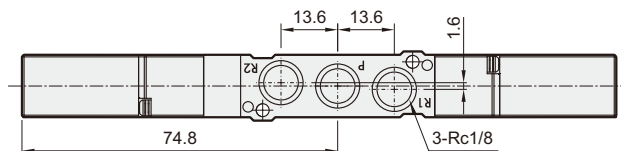
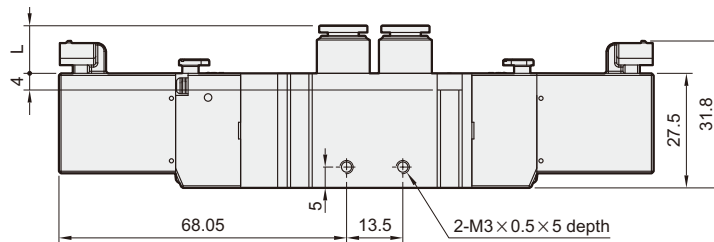
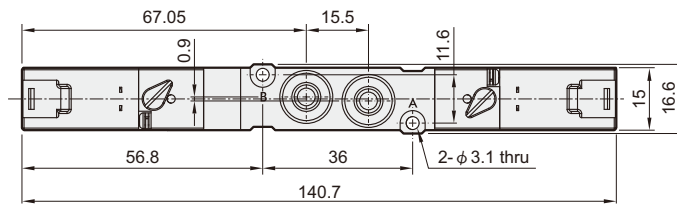
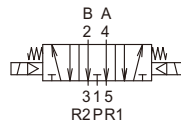
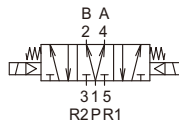
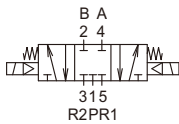


### MVSP-156C\*-4E2C.PR

#### MVSP-156-4E2C

#### MVSP-156-4E2P

#### MVSP-156-4E2R



Code	L
C4	13
C6	14
C8	18.5

# MVSP-156 Mounting bracket & Spacer assembly



mindman

## SOLENOID VALVE

### Order example of bracket

※ Use the same bracket with MVSU.

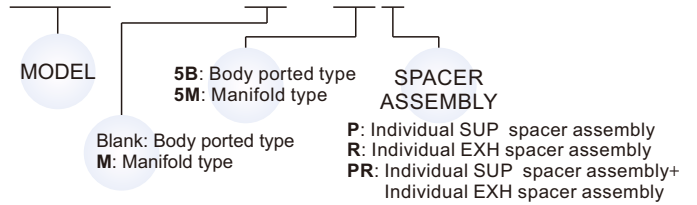
**MVSU – 156 – 1A**



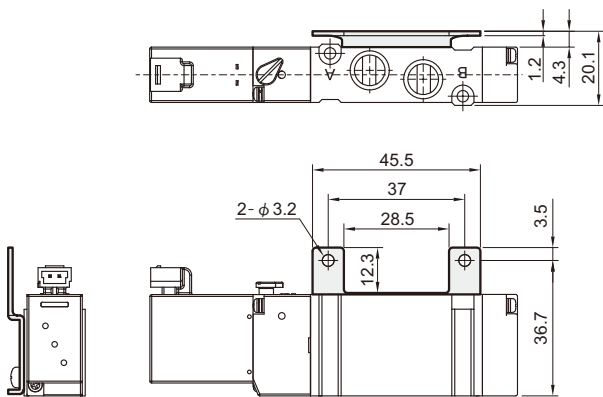
### Order example of spacer assembly

※ Use the same spacer assembly with MVSU.

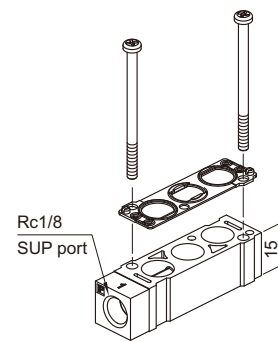
**MVSU – 156M – 5BP**



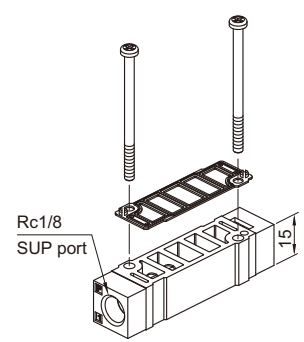
**MVSU-156-1A**



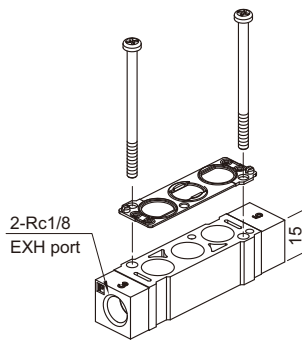
**MVSU-156-5BP**



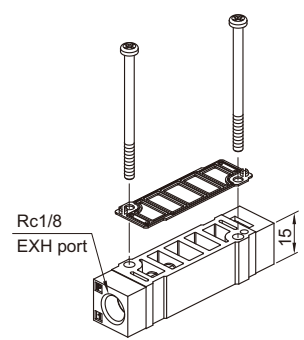
**MVSU-156M-5MP**



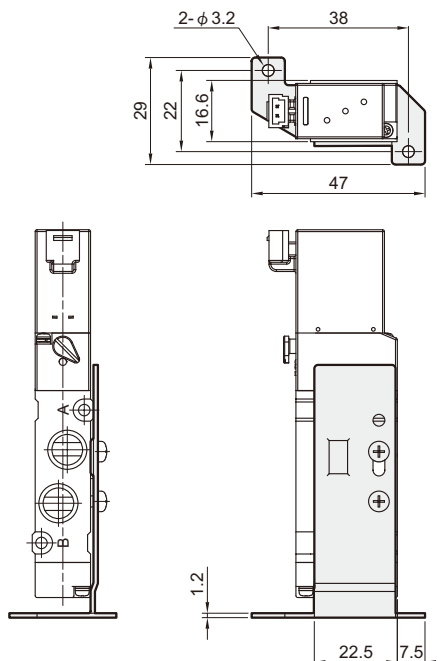
**MVSU-156-5BR**



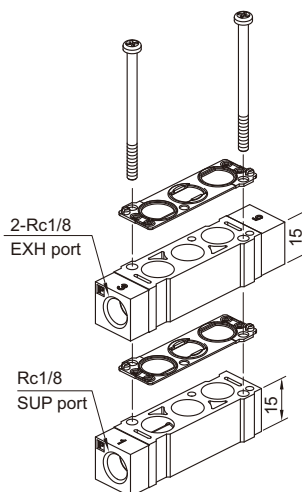
**MVSU-156M-5MR**



**MVSU-156-2A**



**MVSU-156-5BPR**



**MVSU-156M-5MPR**

