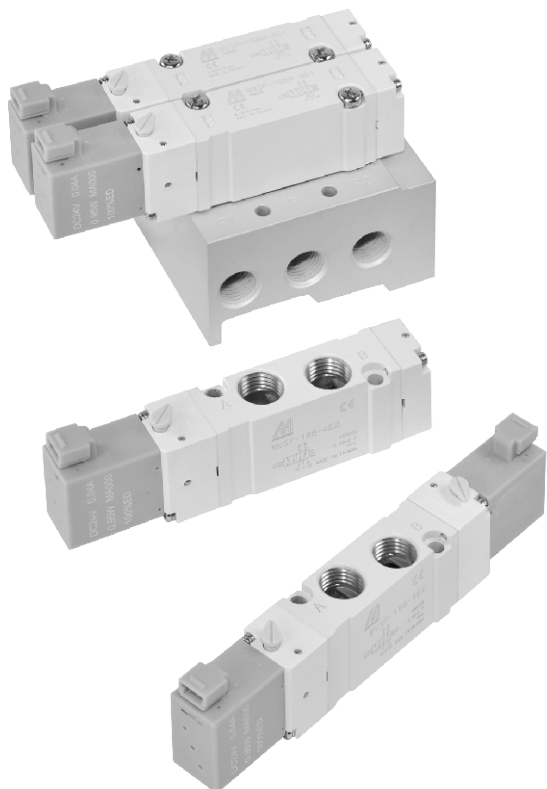


MVSP-188 series

SOLENOID VALVE

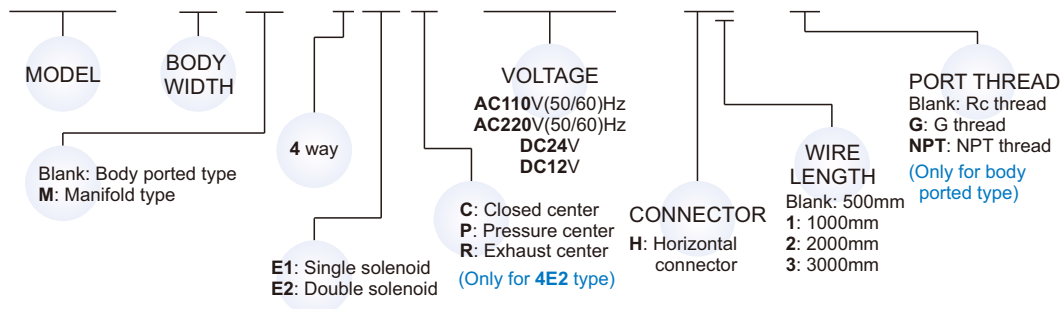


Specification

Model	4E1	4E2	4E2C.P.R
Port size	Rc1/4		
No. of port / position	5 / 2		5 / 3
Medium	Air		
Operating pressure range	0.15~0.7 MPa		0.2~0.7 MPa
Proof pressure	1 MPa		
Effective orifice (mm ²)	Body ported	15	16.3 / 27 / 12.4
	Manifold	13	13.5 / 18.4 / 11
Ambient temperature	-5~+50°C (No freezing)		
Response time	27 ms		30 ms
Voltage	AC110V, AC220V(50/60)Hz, DC12/24V		
Power consumption	AC=5VA, 5.5VA (220V), DC=0.95W		
Available voltage range	±10%		
Insulation class	F class		
Weight	96 g	132 g	142 g

Order example of valve

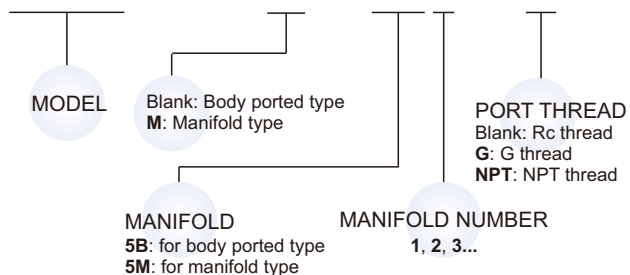
MVSP – 188M – 4E2C – AC110 – H1 – G



Order example of manifold

※ Use the same manifold with MVSY.

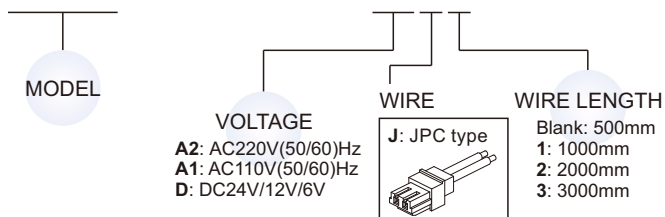
MVSY – 188M – 5M3 – G



Order example of wire

※ Use the same wire with MVDY.

MVDY – 100 – WA2J2

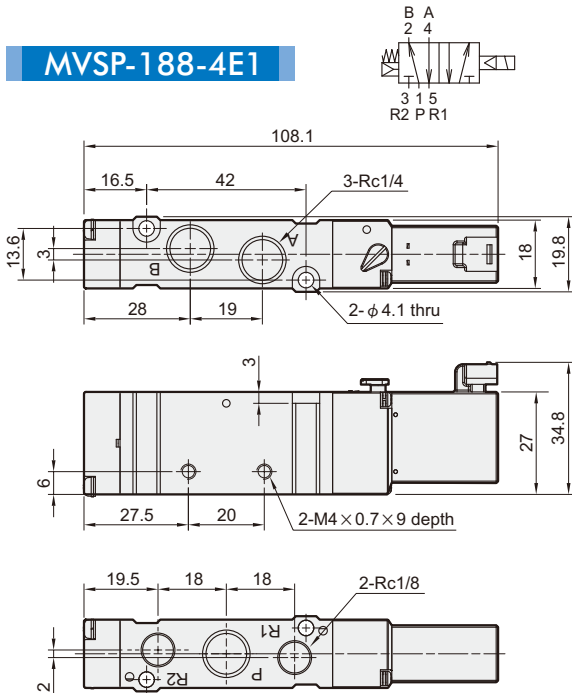


MVSP-188 Dimensions

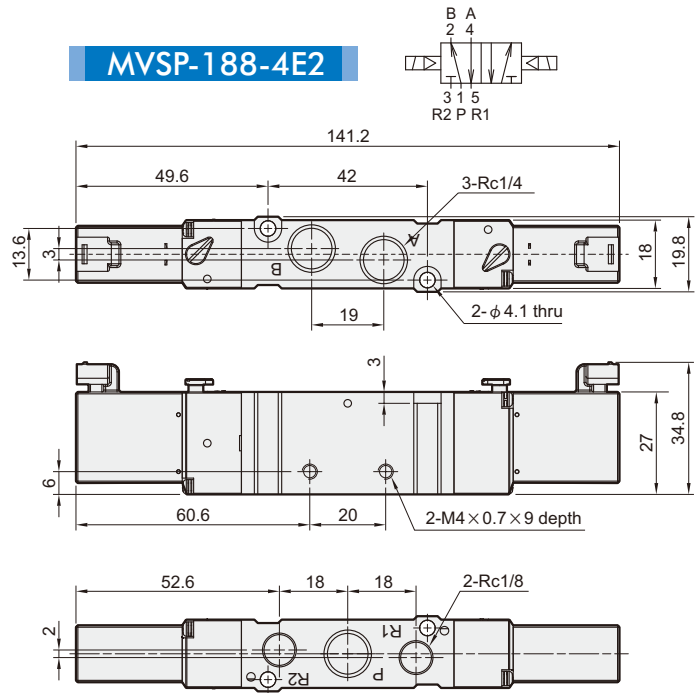
SOLENOID VALVE



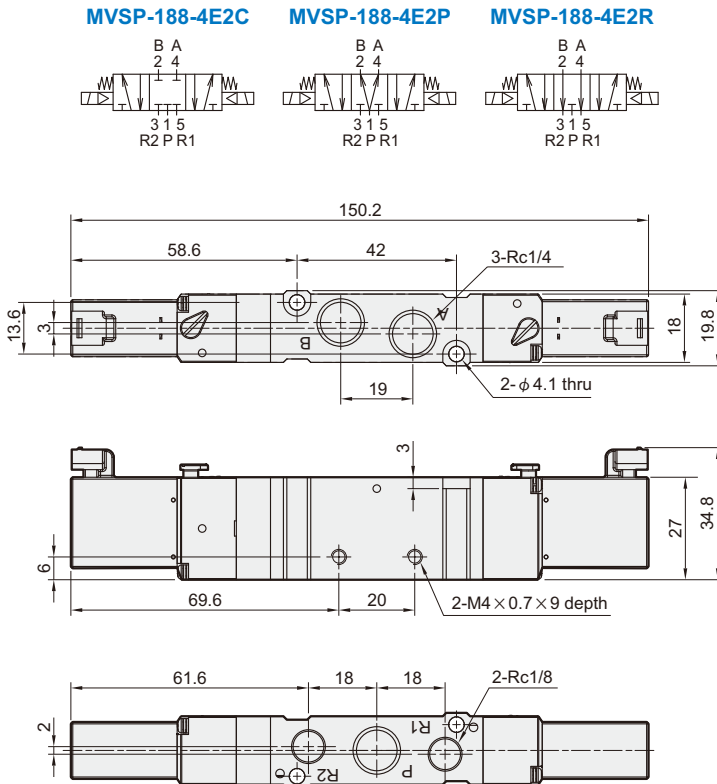
MVSP-188-4E1



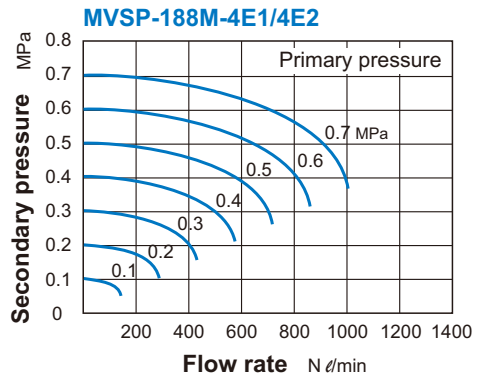
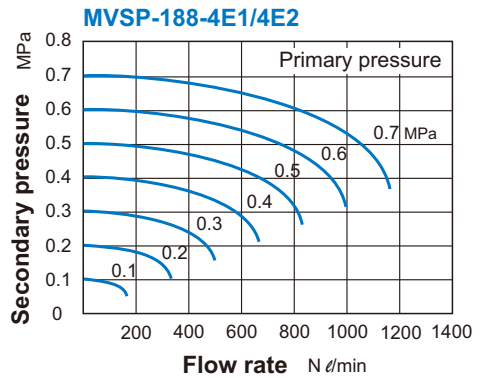
MVSP-188-4E2



MVSP-188-4E2C.P.R



Flow features



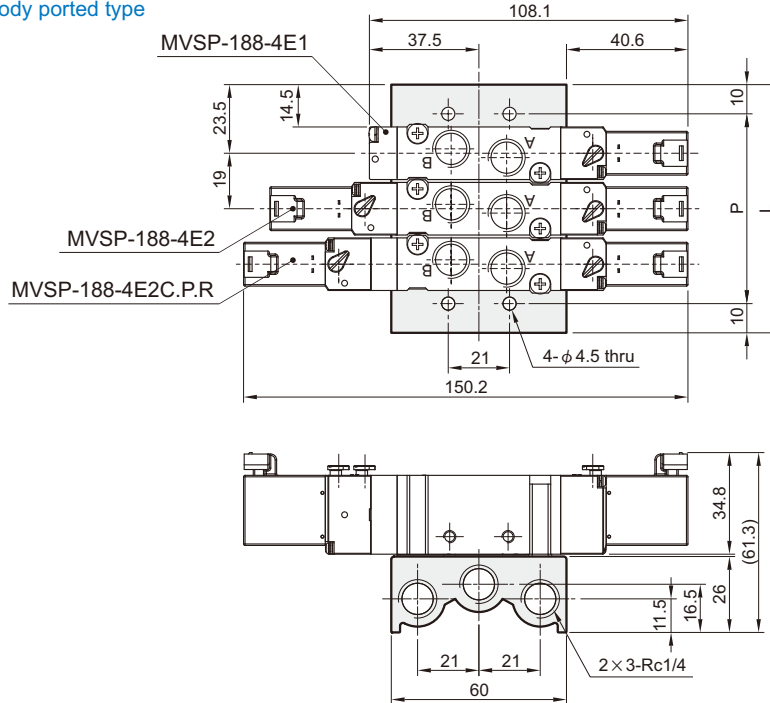
MVSP-188 Manifold

SOLENOID VALVE



MVSY-188-5B*

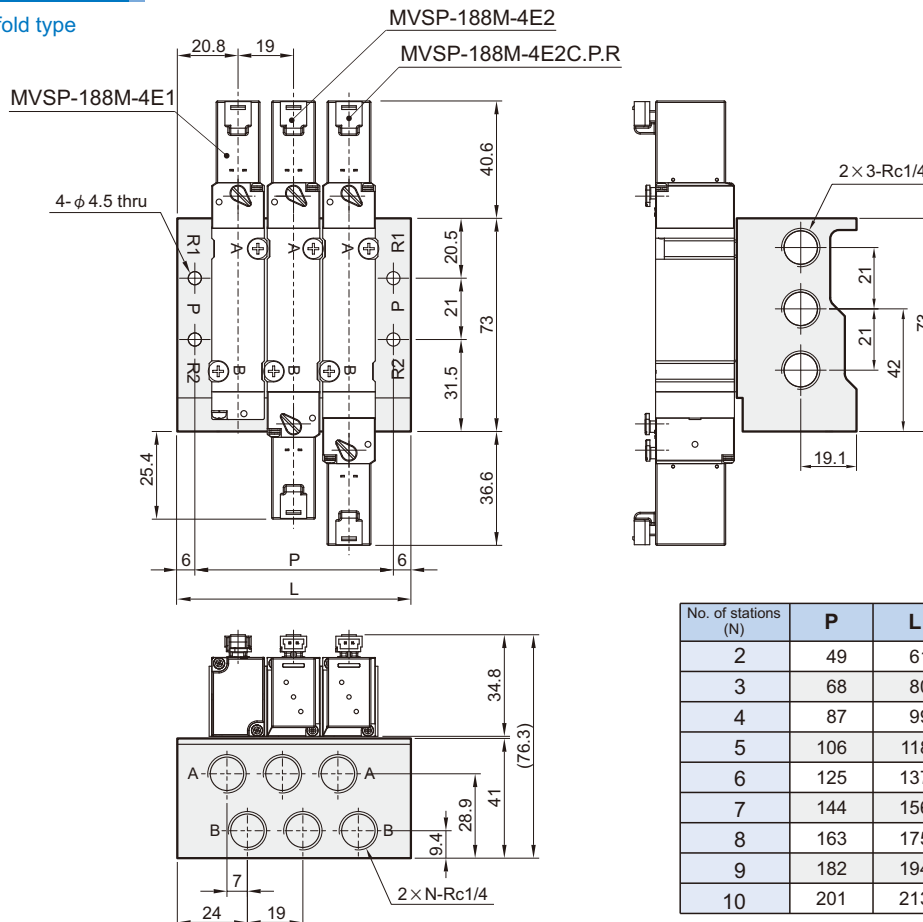
for body ported type



No. of stations	P	L
2	46	66
3	65	85
4	84	104
5	103	123
6	122	142
7	141	161
8	160	180
9	179	199
10	198	218

MVSY-188M-5M*

for manifold type



No. of stations (N)	P	L
2	49	61
3	68	80
4	87	99
5	106	118
6	125	137
7	144	156
8	163	175
9	182	194
10	201	213

MVSP-188 Mounting bracket & Spacer assembly



SOLENOID VALVE

Order example of bracket

※ Use the same bracket with MVSY.

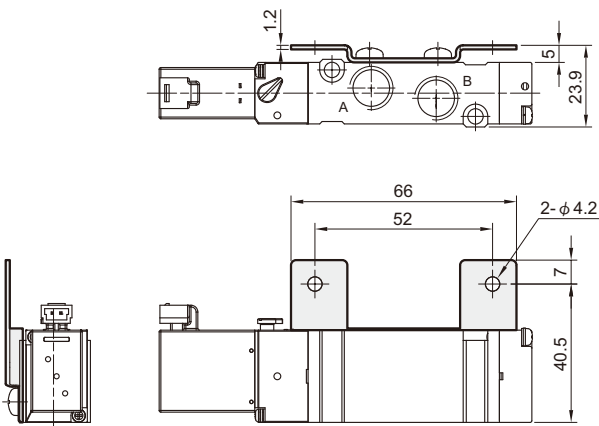
MVSY - 188 - 1A

MODEL

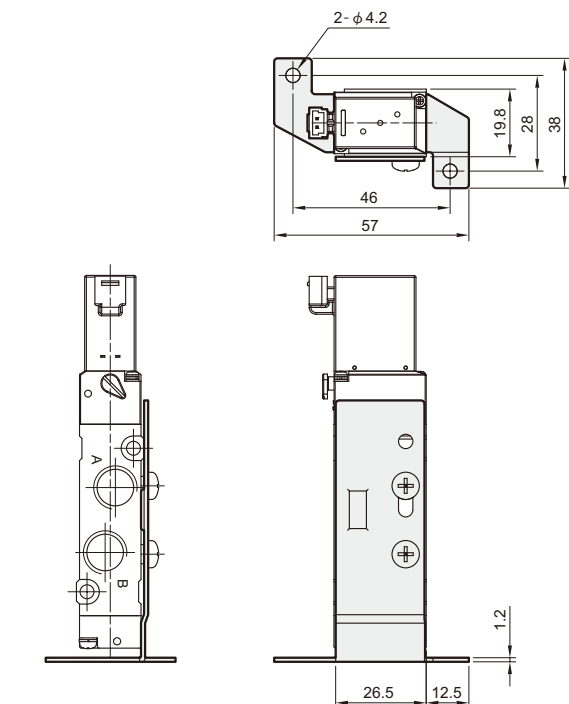
MOUNTING BRACKET

1A
2A

MVSY-188-1A



MVSY-188-2A



Order example of spacer assembly

※ Use the same spacer assembly with MVSY.

MVSY - 188M - 5BP

MODEL

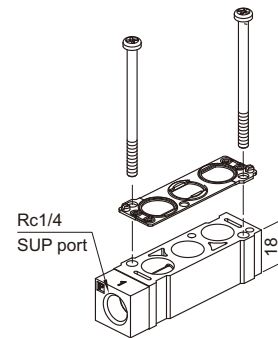
5B: Body ported type
5M: Manifold type

SPACER ASSEMBLY

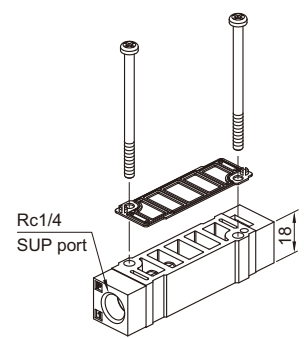
Blank: Body ported type
M: Manifold type

P: Individual SUP spacer assembly
R: Individual EXH spacer assembly
PR: Individual SUP spacer assembly+
Individual EXH spacer assembly

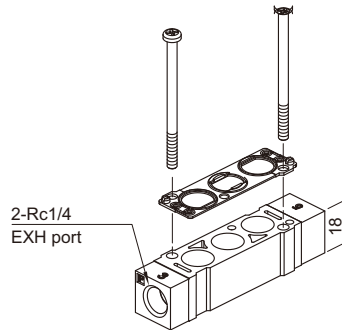
MVSY-188-5BP



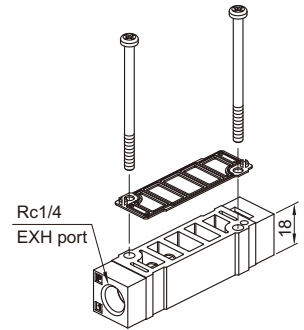
MVSY-188M-5MP



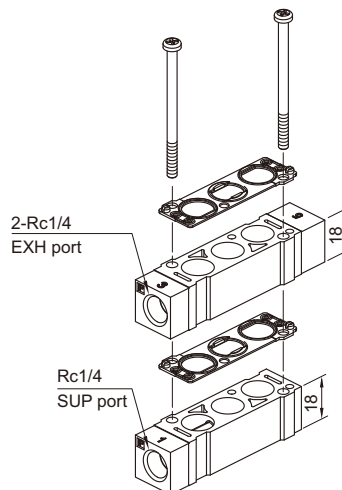
MVSY-188-5BR



MVSY-188M-5MR



MVSY-188-5BPR



MVSY-188M-5MPR

