

MW* series

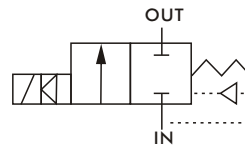
SOLENOID VALVE



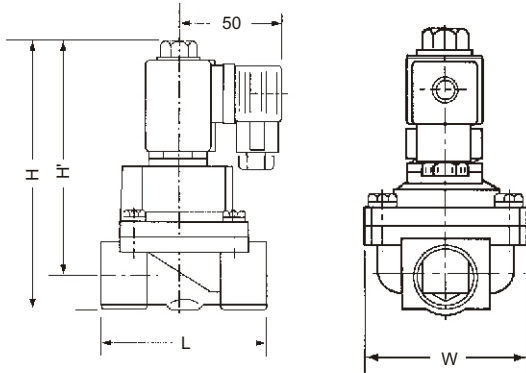
Specification :

- IP65 waterproof coil
- Ex coil is EExm II T4 PTB approval.
- Ambient temp.: -15 ~ 50 °C
- Voltage tolerance: ± 8%
- Installing position is free.(You'd better put the coil upright.)

MWA/S/H Normally close
Pilot piston series



Coil power	Power consumption		
	4	5	3E
AC(VA)	17.6/15.4	33/23	9.2
DC(W)	15	18.5	10



Model	MWA/S/H				
Code Dimension (mm)	10/15	20	25	32/40	45/50
L	71	80	90	97	118
H	136	141	148	171	191
H'	122	114	127	142	156
W	51	61	71	76	95
N.W.(Kg)	1.3	1.5	1.9	2.9	4.5

Order example:

MWA-10-N-4-□-F-AC

MODEL
MWA
MWS
MWH

SEAL MAT'L
N :NBR
J: EPDM
V: VITON
T①: TEFLON

PLUG
□: DIN
D: LED
G: 1/2"NPTF
K: Single Frequency

CODE
10, 15, 20, 25,
32, 40, 45, 50

COIL
4: Smaller coil for WA only
5②: Standard coil
E③: Explosion-Proof

CONN.
□: Screwed
F: Flanged

VOLTAGE

- ① When the seal material is TEFLON . the valve has slight leakage which is below 400cc /min. measured by air.
- ② If you need MWA with NBR seal. MWS with TEFLON seal. MWH with VITON seal or coil 5,"N""T"."V" or "5"can be not shown.
- ③ Explosion-proof coil is DIN PLUG with cable only.

Specification:

Model MWA : Forged brass body ,normally close, for air. water.light oil.gas etc.																			
PIPE G	Code No.	Seal mat'l	Coil	Orifice mm	Temp. °C								Max. O.P.D. bar(min. 0.5bar)						CV
					Coil 4				Coil 5/3E				Coil 4		Coil 5		Coil 3E		
					N	J	V	T	N	J	V	T	AC/DC		AC/DC		AC/DC		
3/8	10	N 、 J 、 V	4 、 5 、 3E	15	-5 、 80	—	-5 、 95	-10 、 150	—	10	5	16	10	7	4	3.0			
1/2	15			4.0															
3/4	20			6.8															
1	25			11.0															
1-1/4	32			16.0															
1-1/2	40			21.0															
	45			26.0															
2	50			31.0															

Model MWS : Forged brass body ,normally close, for steam. high temp.fluids etc.																			
PIPE G	Code No.	Seal mat'l	Coil	Orifice mm	Temp. °C								Max. O.P.D. bar(min. 0.5bar)						CV
					Coil 4				Coil 5/3E				Coil 4		Coil 5		Coil 3E		
					N	J	V	T	N	J	V	T	AC/DC		AC/DC		AC/DC		
3/8	10	V 、 T	5 、 3E	15	—	—	-10 、 150	-10 、 185	—	—	10	7	5	3	3.0				
1/2	15			4.0															
3/4	20			6.8															
1	25			11.0															
1-1/4	32			16.0															
1-1/2	40			21.0															
	45			26.0															
2	50			31.0															

Model MWH : Forged brass body ,normally close, for heavy oil. high viscosity fluids (Max. 120 cst) etc.																			
PIPE G	Code No.	Seal mat'l	Coil	Orifice mm	Temp. °C								Max. O.P.D. bar(min. 0.5bar)						CV
					Coil 4				Coil 5/3E				Coil 4		Coil 5		Coil 3E		
					N	J	V	T	N	J	V	T	AC/DC		AC/DC		AC/DC		
3/8	10	V 、 T	5 、 3E	15	—	—	-10 、 120	—	—	—	15	10	5	3	3.0				
1/2	15			4.0															
3/4	20			6.8															
1	25			11.0															
1-1/4	32			16.0															
1-1/2	40			21.0															
	45			26.0															
2	50			31.0															