

Specification

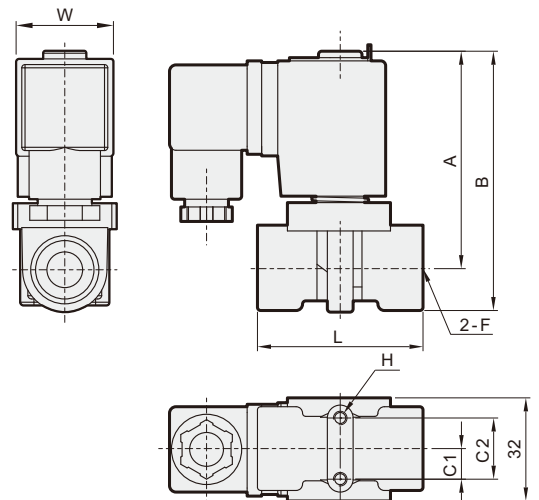
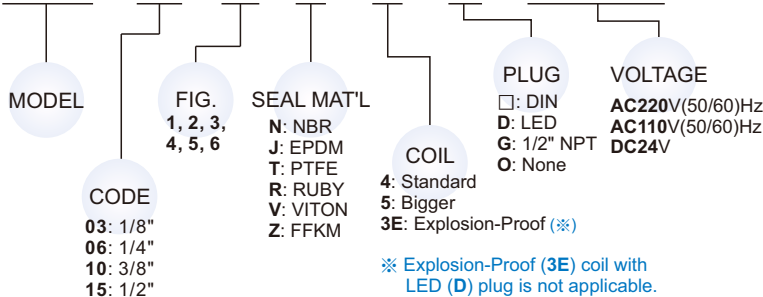
- IP65 100% ED coil.
- PTB approval EExmIIT4 coil.

Dimensions

Model	MZS				
Code	03	06	10	15	
Dimension (mm)					
A	66		68		
B		74.5		80.5	
C1	8		9.5		
C2	16		19		
F	G1/8	G1/4	G3/8	G1/2	
H	M3×0.5		M4×0.7		
L	41		51.5		
W	Coil 4	32			
	Coil 5	36			
	Coil 3E	32			
N.W.(g)	Coil 4	370	360	450	430
	Coil 5	450	450	530	510
	Coil 3E	670	670	750	730

Order example

MZS-06-2-N-5-□-AC110



Power consumption

Coil power	4	5	3E
AC(VA)	19.5	23	9.2
DC(W)	15	18.5	10

Specification

Model MZS : Forged brass body, 2/2 way N.C., for water, air, steam, gas, light oil.																												
Code (PIPE) G	Fig. no.	Orifice mm	Seal mat'l	Coil	Max. O.P.D. bar (Min. 0 bar)						Cv	VAC. torr	Temp. °C															
					Coil 4		Coil 5		Coil 3E				Seal mat'l	N	J	T	R	V	Z									
					AC	DC	AC	DC	AC	DC																		
03(1/8)	1	1.6	N, T, J, R, V, Z	4, 5, 3E	30	20	40	30	20		0.12	10 ⁻²	Coil 4	-5	-10	-20 ~ 160	-10 ~ 145											
	2	2.0			20	15	30	20	15	0.18																		
06(1/4)	3	2.5			14	7	20	15	10	0.20	Coil 5							80	145	-20 ~ 185	-10	-20						
	4	3.0			10	5	15	10	5	0.37																		
10(3/8)	5	4.0			7	3	10	7	3	0.53													Coil 3E	80	145	-20 ~ 160	145	160
	6	5.0			5	1	7	4	1	0.83																		

- ※ The Max. Orifice for seal T = 4.0mm, R=3.0mm, Z=5.0mm.
- ※ Seal T and R will have slight leakage, so it will not be suitable for vacuum.