

### Specification

- IP65 100% ED coil.
- PTB approval EExmIIT4 coil.

### Dimensions

Model	MZT				
Code	03	06	10	15	
Dimension (mm)					
A	66		68		
B	74.5		80.5		
C1	8		9.5		
C2	16		19		
F	G1/8	G1/4	G3/8	G1/2	
H	M3×0.5		M4×0.7		
L	41		51.5		
W	Coil 4	32			
	Coil 5	36			
	Coil 3E	32			
N.W.(g)	Coil 4	370	360	450	430
	Coil 5	450	450	530	510
	Coil 3E	670	670	750	730

### Order example

**MZT-06-2-N-C-□-□-AC110**

MODEL: MZT-06-2-N-C-□-□-AC110

FIG. 1, 2, 3, 4, 5, 6

SEAL MAT'L: N: NBR, V: VITON, Z: FFKM

COIL: 4: Standard, 5: Bigger, 3E: Explosion-Proof (※)

PLUG: □: DIN, D: LED, G: 1/2" NPT, O: None

VOLTAGE: AC220V(50/60)Hz, AC110V(50/60)Hz, DC24V

CODE: 03: 1/8", 06: 1/4", 10: 3/8", 15: 1/2"

EXHAUST ACCESSORY

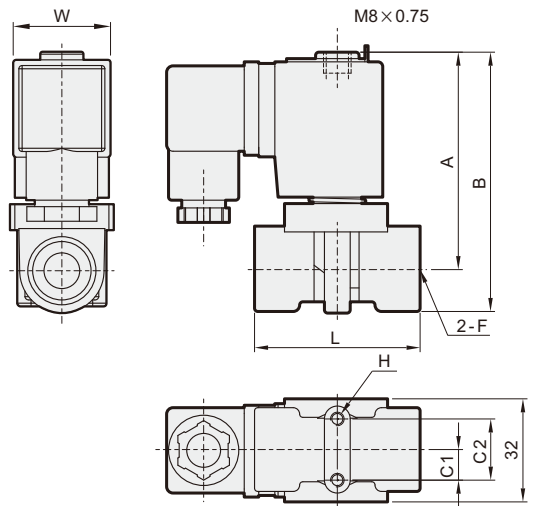
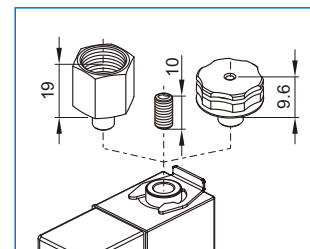
U	—	Without
F		PS female
C		Dust-proof & silencer cap
P		1/8"PS male

※ Explosion-Proof (3E) coil with LED (D) plug is not applicable.

### Power consumption

Coil power	4	5	3E
AC(VA)	19.5	23	9.2
DC(W)	15	18.5	10

### Exhaust accessories



### Specification

Model MZT: Forged brass body, 3/2 way N.C., for water, air, steam, gas, light oil.																		
Code (PIPE) G	Fig no.	Orifice mm		Seal mat'l	Coil	Max. O.P.D. bar (Min. 0 bar)						Cv	VAC. torr	Temp. °C				
		Body	Top			Coil 4			Coil 5					Coil 3E	Seal mat'l	N	V	Z
						AC / DC												
						Function												
03(1/8) 06(1/4) 10(3/8) 15(1/2)	1	1.3	1.6	N 、 V 、 Z	4 、 5 、 3E	1	2	1	2	1	2	0.08	10 <sup>-2</sup>	Coil 4	-10 ~ 145			
	2	1.6				10	13	13	16	10	13	0.10						
	3	2.0	7			10	7	13	5	10	0.15							
	4	2.5	5			10	5	13	4	10	0.20							
	5	3.0	4			10	4	10	3	10	0.31							
	6	4.0	2			7	3	10	2	7	0.54							
	7	5.0	1			5	2	7	1	5	0.80							